

Service Manual

TV / VCR Combination

CHASSIS : CP-082

Model : GB14H3/14H4/20H3/20H4/21H4 T1/T2

14H3/14H4/20H3/20H4/21H4 T1/T2

F14H3/14H4/20H3/20H4/21H4 T1/T2

K14H3/14H4/20H3/20H4/21H4 T1/T2



■ SPECIFICATIONS

ITEMS	MODEL	GB14H3/14H4/20H3/20H4/21H4 T1/T2 14H3/14H4/20H3/20H4/21H4 T1/T2 F14H3/14H4/20H3/20H4/21H4 T1/T2 K14H3/14H4/20H3/20H4/21H4 T1/T2	REMARK
TV SECTION	STANDARD	PAL-I/II(GB MODEL),PAL-B/G(BLANK MODEL),PAL-B/G,SECAM-L/L(F MODEL) PAL/SECAM-B/G,DK(K MODEL)	
	SCREEN SIZE	14":A34JLL90X01, A34AGT14X71, A33EKC01X01, A34EAC01X06 20":A48JLL90X02, A48LPE01X01, A48EAX33X081 21":A51EAL155X17, A51EFS83X181, A51EBV13X09	
	MAIN VOLTAGE	220-240V AC,50Hz	
	POWER CONSUMPTION	STAND BY MODE : BELOW 5 Watts OPERATION MODE : 14"=59Watts, 20"=65Watts, 21"=69Watts	
	SOUND OUTPUT	1Wmin(14"), 1.5Wmin(20"), 1.5Wmin(21")	
	SPEAKER	3Watts 8 Ohm	
	ANTENNA IMPEDANCE	75 Ohm unbalanced input	
	TUNING SYSTEM	FVS(FREQUENCY SYNTHESIS) TUNING	
	TUNER	VHF-L : E2-S7, VHF-H : S8-S36, UHF : S37-E69 (PAL-I=UHF ONLY)	
	NUMBER OF PROGRAM	100 PROGRAM	
	AUX. TERMINAL	SCART JACK(REAR) , RCA JACK(AV2 FRONT), HEADPHONE JACK	
	REMOTE CONTROLLER	R-46C with 2 "AAA" type batteries	
	OTHER FEATURE	ON SCREEN DISPLAY, SLEEP TIMER, WAKE UP TIMER, FULL AUTO SEARCH, MANUAL/FINE TUNING,CHILD LOCK, PANEL LOCK, AUTO REPEAT, PICTURE TYPE SELECTION (NORMAL 1/2, FAVOURITE), INDEX SEARCH, TV/AV	
VIDEO SECTION	SINGLE SYSTEM	PAL/SECAM colour and CCIR mono chrome signals, 625lines/50fields.	
	RECORDING SYSTEM	2HEAD / 4HEAD	
	INPUT	1Vp-p, 75 ohm, unbalanced	
	OUTPUT	1Vp-p, 75 ohm, unbalanced	
	SIGNAL TO NOISE RATIO	45dB with NETTETE IMAGE control at center position	
	HORIZONTAL RESOLUTION	240lines with NETTETE IMAGE control at center position	
AUDIO	RECORDING SYSTEM	LONGITUDINAL TRACK	
	INPUT	-3.8dBm(500m Vrms), more than 47 Kohms, unbalanced	
	OUTPUT	-3.8dBm(500m Vrms), less than 1 Kohms, unbalanced	
	FREQUENCY RANGE	100Hz to 8KHz	
	SIGNAL TO NOISE RATIO	40dB(more than)	
GENERA	TEMPERATRE	5°C to 35°C(operating), -20°C to 60°C (storage temperature)	
	FORMAT	standard	
	TAPE WIDTH	12.65mm	
	TAPE SPEED	SP : 23.39mm/sec, LP : 11.70mm/sec	
	WITH FULLSIZE CASSETTE	SP : 240 min, win E-240 video cassette LP : 480min, win E-240 video cassette	

DAEWOO ELECTRONICS CO., LTD

<http://svc.dwe.co.kr>

April.2001

DAEWOO

TABLE OF CONTENTS

SAFETY INSTRUCTION	2
SPECIFICATION	3
CIRCUIT BLOCK DIAGRAM	4
ALIGNMENT INSTRUCTIONS	5
SERVICE REMOCON DIAGRAM	8
SCHEMATIC DIAGRAM.....	11
EXPLODED VIEW	13
PRINTED CIRCUIT BOARD	18
SERVICE PARTS LIST	20
Different parts list for inch	37
The different parts list for system & tuner	39
The different parts list for crt	50
The different parts list for deck	51
The different parts list for remote control	52

SAFETY INSTRUCTION

WARNING : BEFORE SERVICING THIS CHASSIS, READ THE "X-RAY RADIATION PRECAUTION", " SAFETY PRECAUTION" AND "PRODUCTION SAFETY NOTICE" BELOW.

X-RAY RADIATION PRECAUTION

1. Excessive high voltage can produce potentially hazardous X-RAY RADIATION. To avoid such hazards, the high voltage must not exceed the specified limit
The nominal value of the high voltage of this receiver is 23-25KV(14"),25-28KV(20"),25~29KV(21") at max. beam current, The high voltage must not, under any circumstances, exceed 26KV(14"),30KV(20"),31KV(21"). Each time a receiver requires servicing, the high voltage should be checked.
It is recommended the reading of the high voltage be recorded as a part of the service records, It is important to use an accurate and reliable high voltage meter.
2. The only source of X-RAY radiation in this TV receiver is the picture tube. For continuous X-RAY RADIATION protection, the replacement tube must be exactly the same type tube as specified in the parts list.

SAFETY PRECAUTION

1. Potentials of high voltage are present when this receiver is operating. Operation of the receiver outside the cabinet or with the back board removed involves a shock hazard from the receiver.
 - 1) Servicing should not be attempted by anyone who is not thoroughly familiar with the precautions necessary when working on high voltage equipment.
 - 2) Always discharge the picture tube before handling the tube. The picture tube is highly evacuated and if broken, glass fragments will be violently expelled.
2. If any fuse in this TV receiver is blown, replace it with the FUSE specified in the Replacement Parts list.
3. When replacing a high wattage resistor (metal oxide film resistor) in circuit board, keep the resistor 10mm away from circuit board.
4. Keep wires away from high voltage or high temperature components.
5. This receiver must operate under AC260 volts, 50Hz. NEVER connect to DC supply or any other power or frequency.

PRODUCT SAFETY NOTICE

Many electrical and mechanical parts in this have special safety-related characteristics.

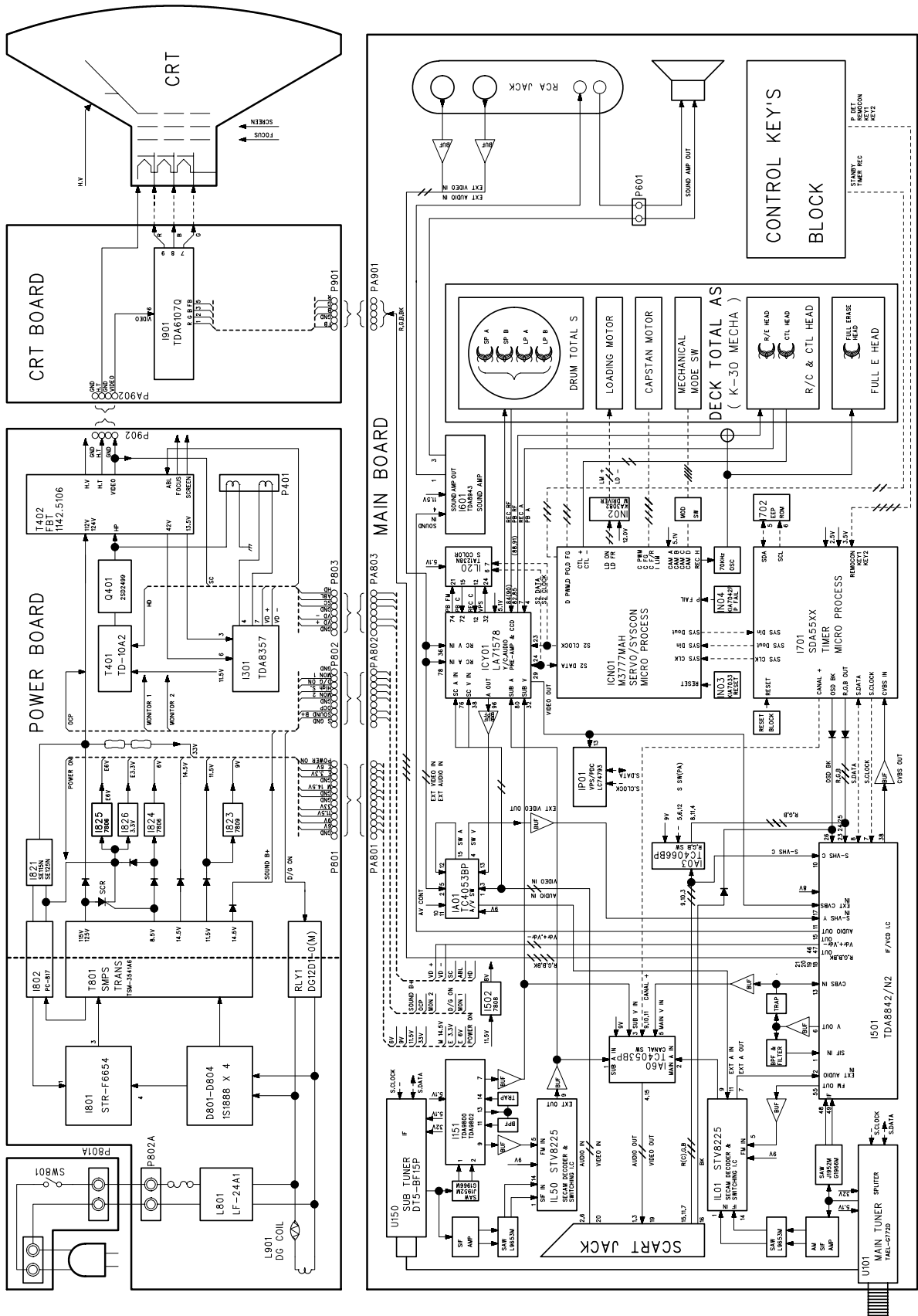
These characteristics are often passed unnoticed by a visual inspection and the X-RAY RADIATION protection afforded by them cannot necessarily be obtained by using replacement components rated for higher voltage, wattage, etc. Replacement parts which have these special safety characteristics are identified in this manual and its supplements, electrical components having such features are identified by designated symbol on the parts list. Before replacing any of these components, read the parts list in this manual carefully.

The use of substitute replacement parts which do not have the same safety characteristics as specified in the parts list may create X-RAY Radiation.

SPECIFICATION

ITEMS		MODEL	REMARK
		GB14H3/14H4/20H3/20H4/21H4 T1/T2 14H3/14H4/20H3/20H4/21H4 T1/T2 F14H3/14H4/20H3/20H4/21H4 T1/T2 K14H3/14H4/20H3/20H4/21H4 T1/T2	
TV SECTION	STANDARD	PAL-I/II(GB MODEL),PAL-B/G(BLANK MODEL),PAL-B/G,SECAM-L/L(F MODEL) PAL/SECAM-B/G,DK(K MODEL)	
	SCREEN SIZE	14":A34JLL90X01, A34AGT 14X71, A33EKC01X01, A34EAC01X06 20":A48JLL90X02, A48LPE01X01, A48EAX33X081 21":A51EAL155X17, A51EFS83X181, A51EBV13X09	
	MAIN VOLTAGE	220~240V AC,50Hz	
	POWER CONSUMPTION	STAND BY MODE : BELOW 5 Watts OPERATION MODE : 14"=59Watts, 20"=65Watts, 21"=69Watts	
	SOUND OUTPUT	1Wmin(14"), 1.5Wmin(20"), 1.5Wmin(21")	
	SPEAKER	3Watts 8 Ohm	
	ANTENNA IMPEDANCE	75 Ohm unbalanced input	
	TUNING SYSTEM	FVS(FREQUENCY SYNTHESIS) TUNING	
	TUNER	VHF-L : E2-S7, VHF-H : S8-S36, UHF : S37-E69 (PAL-1=UHF ONLY)	
	NUMBER OF PROGRAM	100 PROGRAM	
	AUX, TERMINAL	SCART JACK(REAR) , RCA JACK(AV2 FRONT), HEADPHONE JACK	
	REMOTE CONTROLLER	R-46C with "AAA" type batteries	
OTHER FEATURE	ON SCREEN DISPLAY, SLEEP TIMER, WAKE UP TIMER FULL AUTO SEARCH, MANUAL/FINE TUNING CHILD LOCK, PANEL LOCK, AUTO REPEAT, PICTURE TYPE SELECTION (NORMAL 1/2, FAVOURITE), INDEX SEARCH, TV/AV		
VIDEO SECTION	SINGLE SYSTEM	PAL/SECAM colour and CCIR mono chrome signals, 625lines/50fidlds.	
	RECORDING SYSTEM	2 HEAD / 4 HEAD	
	INPUT	1Vp-p, 75 ohm, unbalanced	
	OUTPUT	1Vp-p, 75 ohm, unbalanced	
	SIGNAL TO NOISE RATIO	45dB with NETTETE IMAGE control at center position	
HORIZONTAL RESOLUTION	240lines with NETTETE IMAGE control at center position		
AUDIO	RECORDING SYSTEM	LONGITUDINAL TRACK	
	INPUT	-3.8dBm(500m Vrms), more than 47 Kohms, unbalanced	
	OUTPUT	-3.8dBm(500m Vrms). less than 1 Kohms, unbalanced	
	FREQUENCY RANGE	100Hz to 8KHz	
	SIGNAL TO NOISE RATIO	40dB(more than)	
GENERA	TEMPERATRE	5°C to 35°C(operating) -20°C to 60°C (storage temperature)	
	FORMAT	standard	
	TAPE WIDTH	12.65mm	
	TAPE SPEED	SP : 23.39mm/sec, LP : 11.70mm/sec	
	WITH FULLSIZE	SP : 240 min, win E-240 video cassette	
	CASSETTE	LP : 480min, win E-240 video cassette	

CIRCUIT BLOCK DIAGRAM



ALIGNMENT INSTRUCTIONS

1. MAINTUNER AGC

- 1) Set a Pattern Generator with RF level 62 ± 2 dBuV, 210.25 MHz.
- 2) Connect a OSCILLOSCOPE PROBE to P101 (pin #1) ,(TUNER AGC INPUT).
- 3) Adjust AGC UP/DOWN KEY the voltage drop about 1V DC over below it's maximum voltage.

2. SUBTUNER AGC

- 1) Set a pattern Generator with RF level 62 ± 2 dBuV, 210.25 MHz
- 2) Connect a OSCILLOSCOPE PROBE to P101(pin #3)
- 3) Press the REC-B key two times.
- 4) Ajust R157 on the MAIN PCB the voltage drop about 1V DC over below it's maximum voltage.

3. SCREEN

- 1) Apply a COLOR BAR PATTERN SIGNAL.
 - 2) Press the "SCREEN" KEY.
 - 3) Connect a OSCILLOSCOPE PROBE to P901 (CRT CATHODE R,G,B)
 - 4) Adjust the screen volume on FBT such that the highest black level voltage $120V \pm 5Vdc$.
- * Another methode
- 1) Press "AV Key" in condition of AV no signal.
 - 2) Press the "SCREEN" KEY.
 - 3) Connect a OSCILLOSCOPE PROBE to P901 (CRT CATHODE R,G,B)
 - 4) Adjust the screen volume on FBT such that the highest black level voltage $140V \pm 5Vdc$.

4. WHITE BALANCE

- 1) Apply a COLOR BAR PATTERN SIGNAL.
- 2) Adjust the R,G,B UP/DOWN KEY of the other color which did not appear on the screen to obtain WHITE.

5. FOCUS

- 1) Apply a RETMA PATTERN SIGNAL.
- 2) Adjust the FOCUS VOLUME on FBT to obtain optimal resolution.

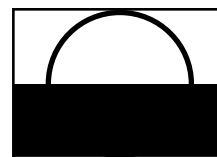
6. GEOMETRY

6-1. S-CORRECTION

- 1) Apply a CROSSHATCH PATTERN SIGNAL.
- 2) Adjust the S-CORR UP/DOWN KEY obtain the same distance between horizontal lines.

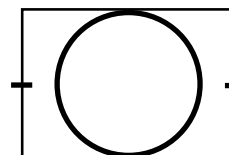
6-2. VERTICAL SLOPE

- 1) Apply a RETMA PATTERN SIGNAL.
- 2) Pressing the V-SLOPE +/- KEY, the lower half of the screen is blanked.
- 3) Adjust the border line of blanked picture coincident with the center marks of the patte using the V-SLOPE +/- KEY.



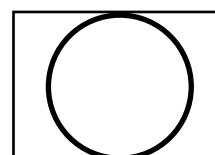
6-3. VERTICAL CENTER

- 1) Apply a RETMA PATTERN SIGNAL.
- 2) Adjust the center line of pattern coincident with the mechanical center marks of the CRT using the V-CENTER +/- KEY.



6-4. VERTICAL SIZE

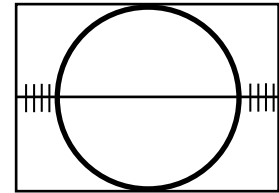
- * The V-CENTER adjustment has to be done in advance.
- 1) Apply a RETMA PATTERN SIGNAL.
 - 2) Adjust the uppside of the pattern coincident with the mechanical center marks of the CRT using the V-SIZE +/- KEY.



ALIGNMENT INSTRUCTIONS

6-5. HORIZONTAL CENTER

- 1) Apply a RETMA PATTERN SIGNAL.
- 2) Adjust picture centering with H-CENTER +/- KEY.



7. DECK ADJUSTMENT

7-1. X-POSITION AND P2,P3 ADJUSTMENT

- 1) Adjust point : X-POSITION

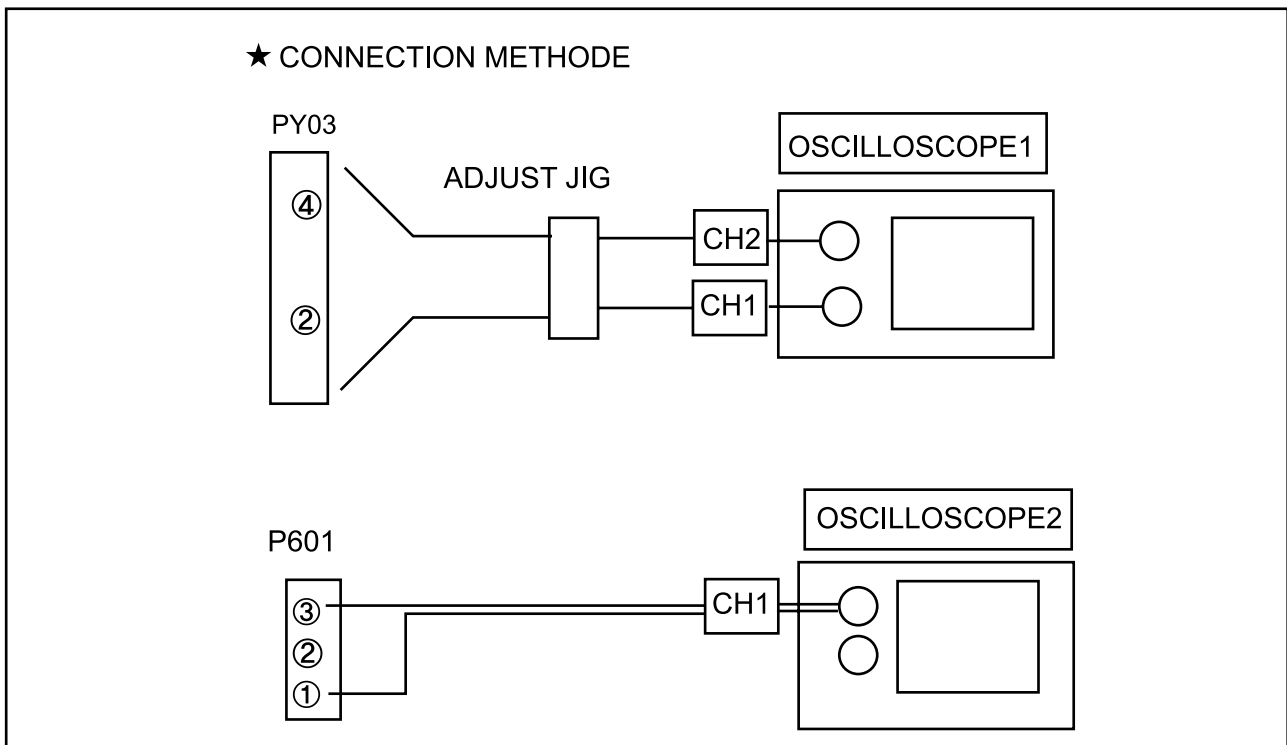
Checking point : oscilloscope ch1 = H/SW (PY03 #2)
 oscilloscope ch2 = PB ENVE (PY03 #4)

Triggering : CH1

Measuring Equipment : oscilloscope, path jig

Mode : PLAYBACK, ATK OFF

Test tape : DP-2 (6KHz)

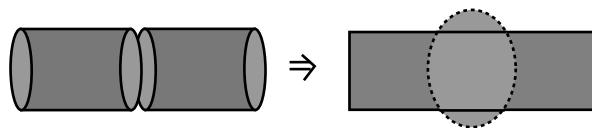


* Adjustment Procedure

- 1) Connect the PATH JIG to PY03 after Test tape PLAYBACK
- 2) Insert the DP-2 TAPE. (Auto playback)
- 3) Pressing the "ATK OFF" KEY.
- 4) Adjust the waveform of PB ENVE to maximum (figure 1) using X-position VR.
- 5) Adjust IN/OUTPUT GUIDE until the exact waveform appear as bellow figure 2.



max.
(figure 1)



(figure 2)

7-2. AUTO PG ADJUSTMENT

- 1) After adjustment of 7-1. Press the "REC." button.
- 2) Eject the Test tape.

7-3. AZIMUTH ADJUSTMENT

- 1) Adjust point : AZIMUTH SCREW
 - Checking point : SOUND OUTPUT (P601)
 - Measuring Equipment : oscilloscope or audio level meter.
 - Mode : PLAYBACK
 - Test tape : DP-2 (6KHz)

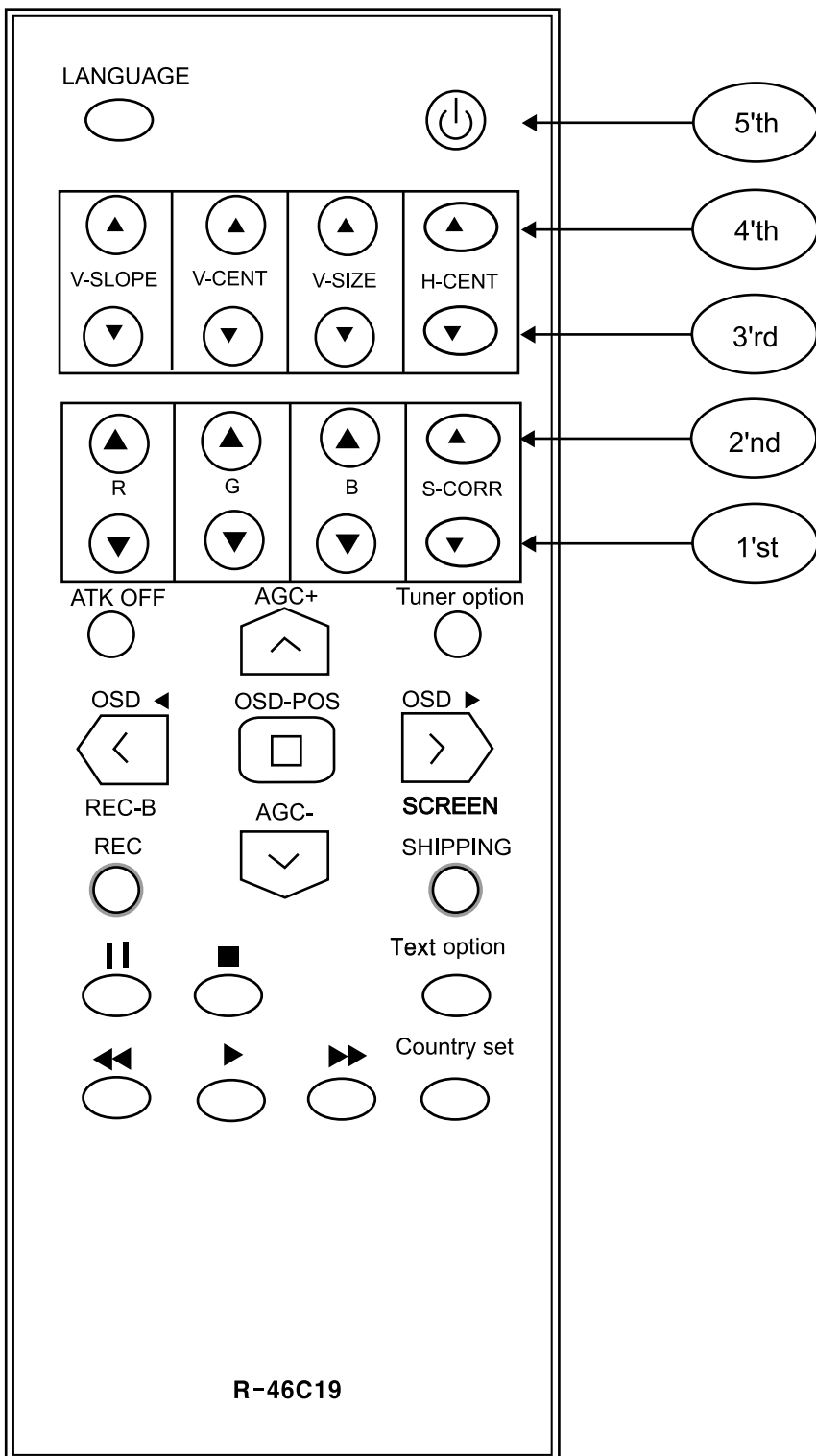
* Adjustment Procedure

- 1) Connect the measuring equipment to the AUDIO OUTPUT (P601) terminal.
- 2) After test tape playback, adjust the output level maximally by varying the azimuth screw.
- 3) Fix the azimuth screw with locking paint.

- * If EEPROM (I702) has been changed :
 - Option data has to be changed and
 - all alignment function has to be readjusted.

SERVICE REMOCON

1. DIAGRAM



***To enter the "SERVICE MODE"**

Press NORMAL => AV => SLEEP => CLEAR => POWER buttons in regular
 sequency within 10seconds using USER REMOCON after setting ST-BY.

2. HOW TO CHECK TV SECTION WITHOUT VCR DECK

If you want to check TV section without DECK mechanism, then please perform in this order.

- 1) Pull out the power cord.
- 2) Remove the VCR DECK mechanism.
- 3) Supply the main power. (Main sw on)
- 4) Wait for about 10 seconds. (You can see the light of power LED if the TV is normal.)
- 5) Turn on the TV using the remocon. (You can see the OSD "EMERGENCY")
- 6) Check the TV section.

3. Refer to general adjustment

- 1) S-CORR +/- (S-CORRECTION)
Press this button to adjust the same distance between horizontal lines on screen of crosshatch pattern.
- 2) V-SLOPE +/- (VERTICAL SLOPE)
Press this button to adjust the border line of blanked picture coincident with the center marks of the pattern.
- 3) V-CENT +/- (VERTICAL CENTER)
Press this button to adjust the center line of the pattern coincident with the mechanical center marks of the CRT on screen of RETMA pattern.
- 4) V-SIZE +/- (VERTICAL SIZE)
Press this button to adjust the uppertime of the pattern coincident with the mechanical center marks the CRT on screen of RETMA pattern.
- 5) H-CENT +/- (HORIZONTAL CENTER)
Press this button to adjust picture centering with H-center on screen of RETMA pattern.
- 6) R,G,B +/- (WHITE BALANCE)
The screen is become WHITE adjust R,G,B level by this button.
- 7) ATK OFF (Auto tracking off)
Press this button to adjust X-Position adjustment.
Front panel's LED's are lighted up if you press this button.
Press the PB button.
ATK OFF : ● ● (RED, RED)
ATK MIN : ◐ ● (BLINK, OFF)
ATK MAX : ○ ◐ (OFF, BLINK)
ATK ON : ◐ ◐ (BLINK,BLINK)
; LEFT LED = ST-BY, RIGHT LED = REC/T.REC
- 8) REC
Press this button to adjust AUTO PG.
- 9) SCREEN
Press this button to adjust the screen volume on FBT.
- 10) SHIP (SHIPPING CONDITIONS)
Press this button to set the SHIPPING CONDITIONS.
- 11) REC-B (Only 2-TUNER Model)
Press this button to adjust SUB TUNER AGC.
Press once : picture is displayed colour pattern.
Press once more : picture is displayed black/white pattern.
- 12) AGC +/-
Press this button to adjust MAIN TUNER AGC.

SERVICE REMOCON

13) STILL

Press this button to enter the PAUSE/STILL mode.

14) STOP

Press this button to enter the STOP mode.

15) REW/REV

Press this button to enter the REW/REV mode.

16) PLAYBACK

Press this button to enter the PLAYBACK mode.

17) FF/CUE

Press this button to enter the FF/CUE mode.

18) LANGUAGE

Press this button to enter the LANGUAGE SELECTION mode.

You can select the language you want by press AGC + (moving up) or AGC - (moving down) buttons.

19) OSD-POS / OSD ◀ / OSD ▶

Press OSD-POS button to enter the OSD Position adjust mode.

You can adjust OSD position you want by press OSD ◀ or OSD ▶ buttons.

20) COUNTRY SET

Press this button to enter the COUNTRY SET mode.

Press the this button :

- Option1 (PAL-I/I system)
- Option2 (PAL-B/G system)
- Option3 (PAL-B/G, SECAM-L/L' system)
- Option4 (PAL/SECAM-B/G, D/K system, EAST Europe)
- Option5 (PAL/SECAM-B/G, D/K system, Middle ASIA)
- Option6 (PAL-B/H system)

21) Tuner Option

Press this button to set Tuner option.

- Press the this button :
- 1. Daewoo
 - 2. Philips
 - 3. LG

22) Text Option

Press this button to set Text option

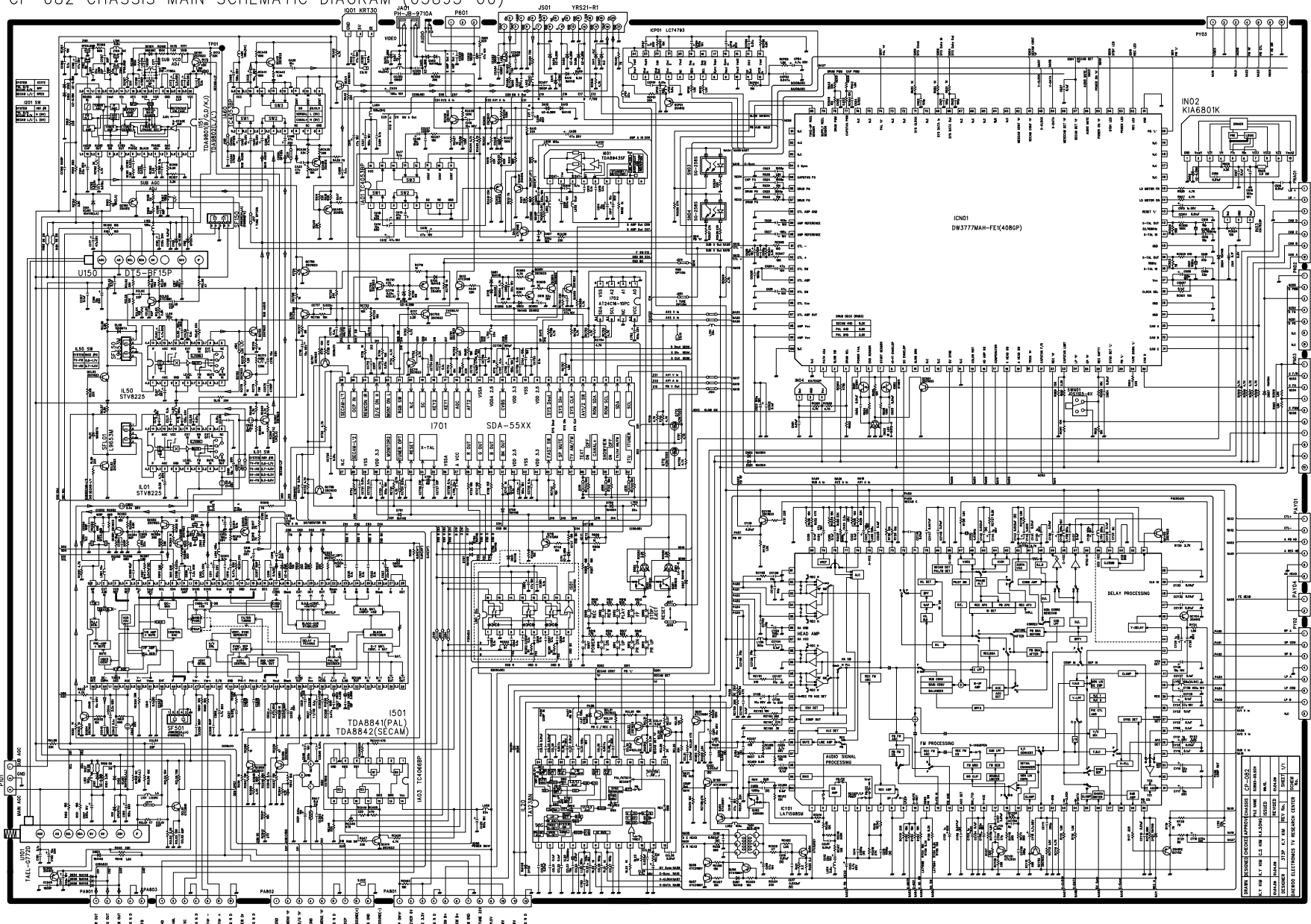
- Press the this button :
- 1. West Europe
 - 2. East Europe
 - 3. Cyrillic
 - 4. Greek
 - 5. Arabic
 - 6. Iranian

* If you forget your "child lock secret No."

- > 1. Enter the SERVICE MODE.
2. POWER OFF/ON

SCHEMATIC DIAGRAM

CP-082 CHASSIS MAIN SCHEMATIC DIAGRAM (03893-00)



DATE	WORKED	CHECKED	APPROVED	DESIGNED
BY	BY	BY	BY	BY
DATE	DATE	DATE	DATE	DATE
1982	1982	1982	1982	1982

SCHEMATIC DIAGRAM

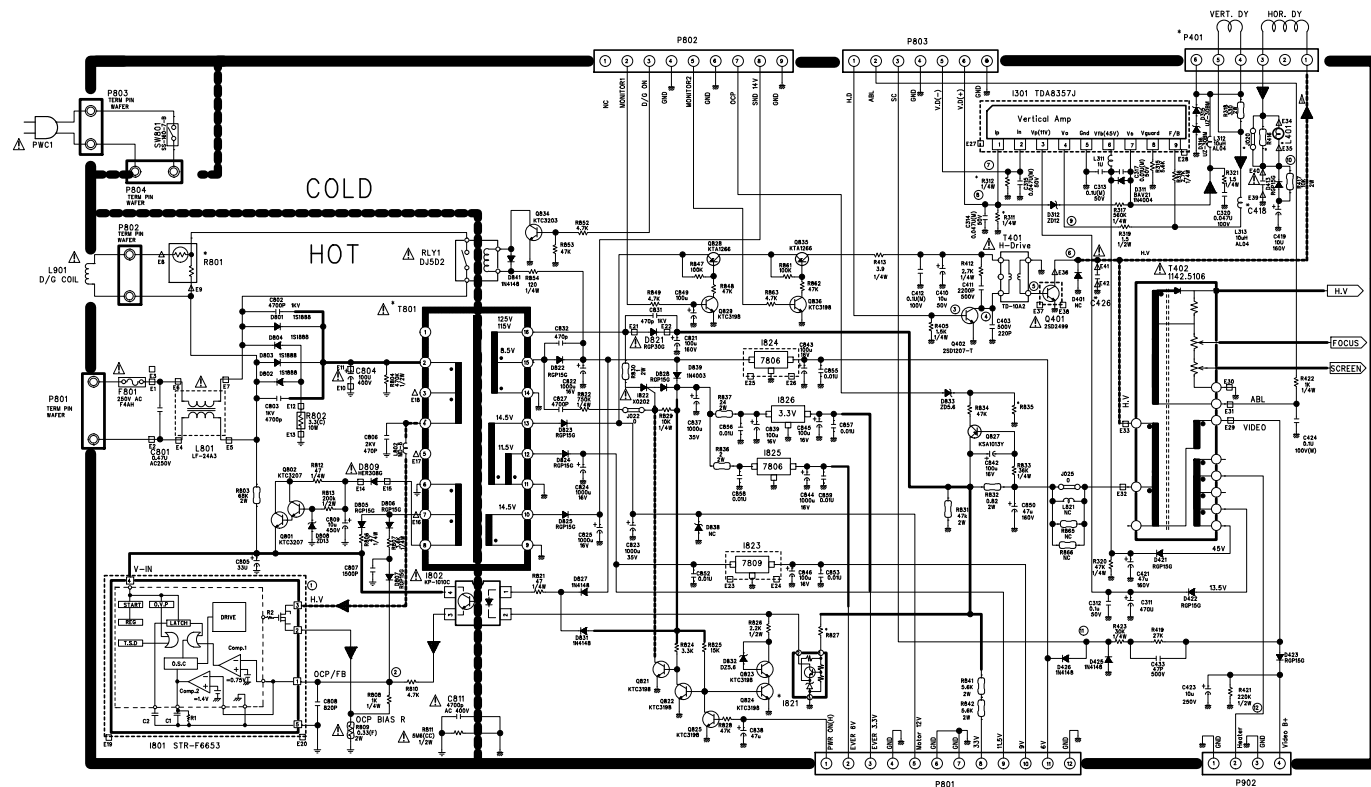
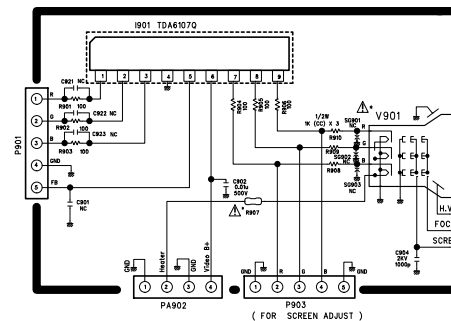
SAFETY CAUTION :

BEFORE SERVICING THIS CHASSIS IT IS IMPORTANT THAT THE SERVICE TECHNICIAN READ AND FOLLOW THE "X-RAY RADIATION PRECAUTION," "SAFETY PRECAUTIONS" AND "PRODUCT SAFETY NOTICE" IN THE SERVICE MANUAL.

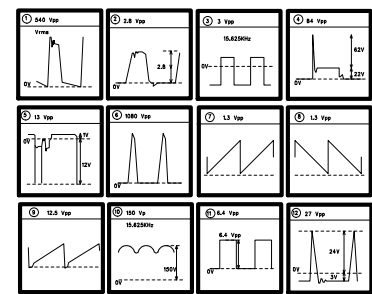
PRODUCT SAFETY NOTE :

COMPONENTS MARKED WITH Δ ARE IMPORTANT FOR MAINTAINING THE SAFETY OF THE SET AND SHOULD BE REPLACED ONLY WITH TYPES IDENTICAL TO THOSE IN THE ORIGINAL OR SPECIFIED ONE IN THE PARTS LIST. DON'T DEGRADE THE SAFETY OF THE SET THROUGH IMPROPER SERVICING.

CP-082 CHASSIS POWER / DEF. PART CIRCUIT



DIFFERENT PARTS FOR SIZE				
NO	LOC	PART	14" (D54)	20" (D64)
1	R811	R METAL FILM	1/4W 15K	1/4W 15K
2	R812	R METAL FILM	1/4W 15K	1/4W 15K
3	C816	C WFLAR	0.001/200V	0.001/200V
4	C818	C WFLAR	7200P/16KV	8200P/16KV
5	R822	R CHIP	1/10 20K	1/10 20K
6	R823	R CARBON FILM	1/4W 10K	1/4W 10K
7	R807	R M or R FUSIBLE	1W 0.3	1W 3.6
8	Z810	ZNTN CRT GROUND NET	1000-100-P	2000-100-P
9	Z811	ZNTN CRT GROUNDING	00-100	00-100
10	S810	SOCKET CRT	PC822A	PC822A
11	V801	V801 CRT	AS441518271	AS441518271
12	R801	POSITION	000000000	000000000
13	P801	CONV. BIPER	VY800-05	VY800-05
14	L801	COL. LINEARITY	L-102	L-102
15	R816	R METAL FILM	2W 1K 0.1W	2W 1K 0.1W
16	R805	R WIRE CORE	N.C.	AR802 1/16K
17	R802	R CARBON FILM	1/2W 1K	0
18	R803	TRAND. SMP1	TSM-2341H7	TSM-2341H4
19	R801	C	SEVEN	SEVEN
20	R801	R CARBON FILM	1/4W 22K	1/4W 22K
21	R803	R CARBON FILM	1/4W 20K	1/4W 20K

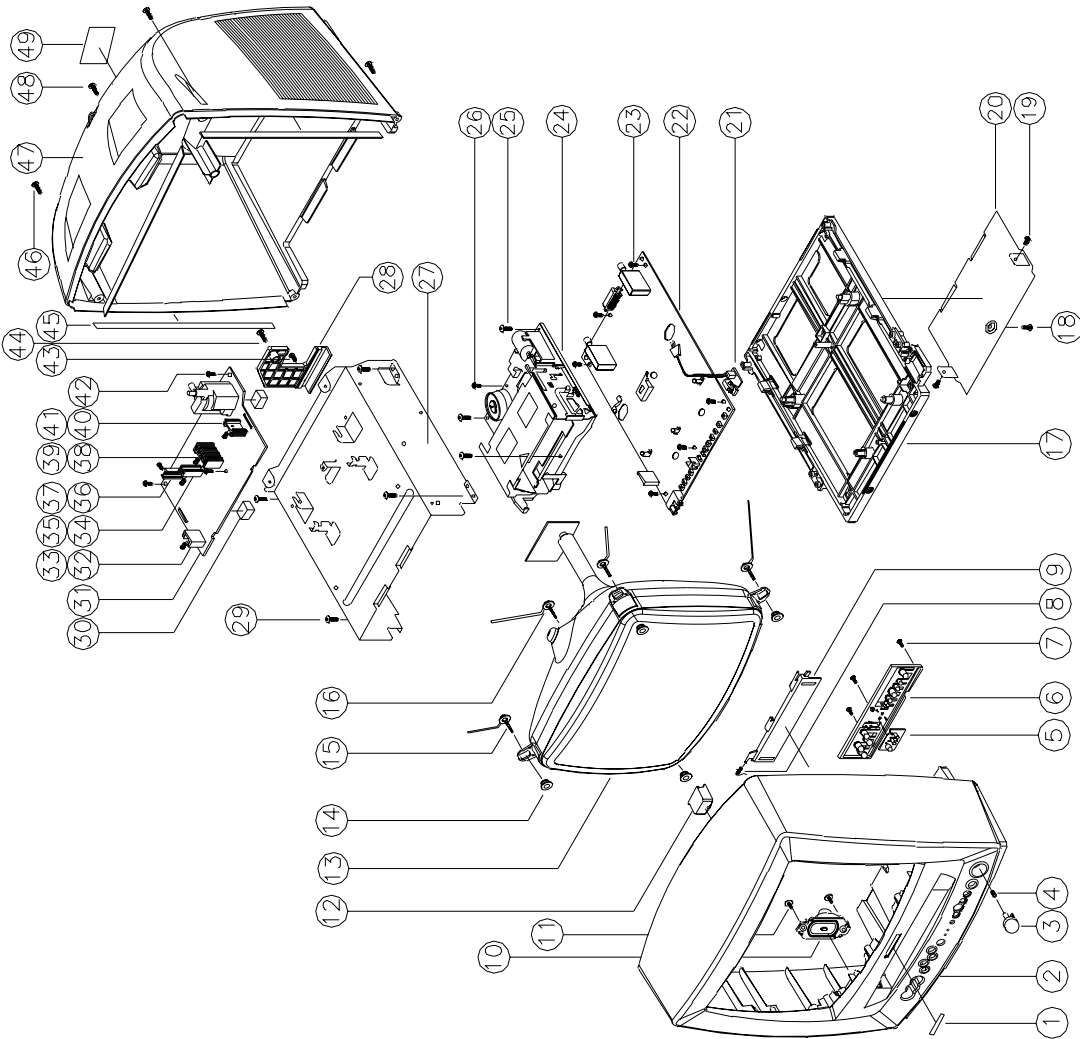


DRAWN	DESIGNED	CHECKED	APPROVE	CHASSIS	CP-082
J.H. KM	J.H. KM	C.S. KM	FILE NAME	ISSUED	1511-1P
0104-02			REVISED		
DESIGNER	JT 3P	J.H. KM	REV No.	SHEET	1/1
DAEWOO ELECTRONICS TV RESEARCH CENTER					SCHEM

EXPLODED VIEW

1. 14H3

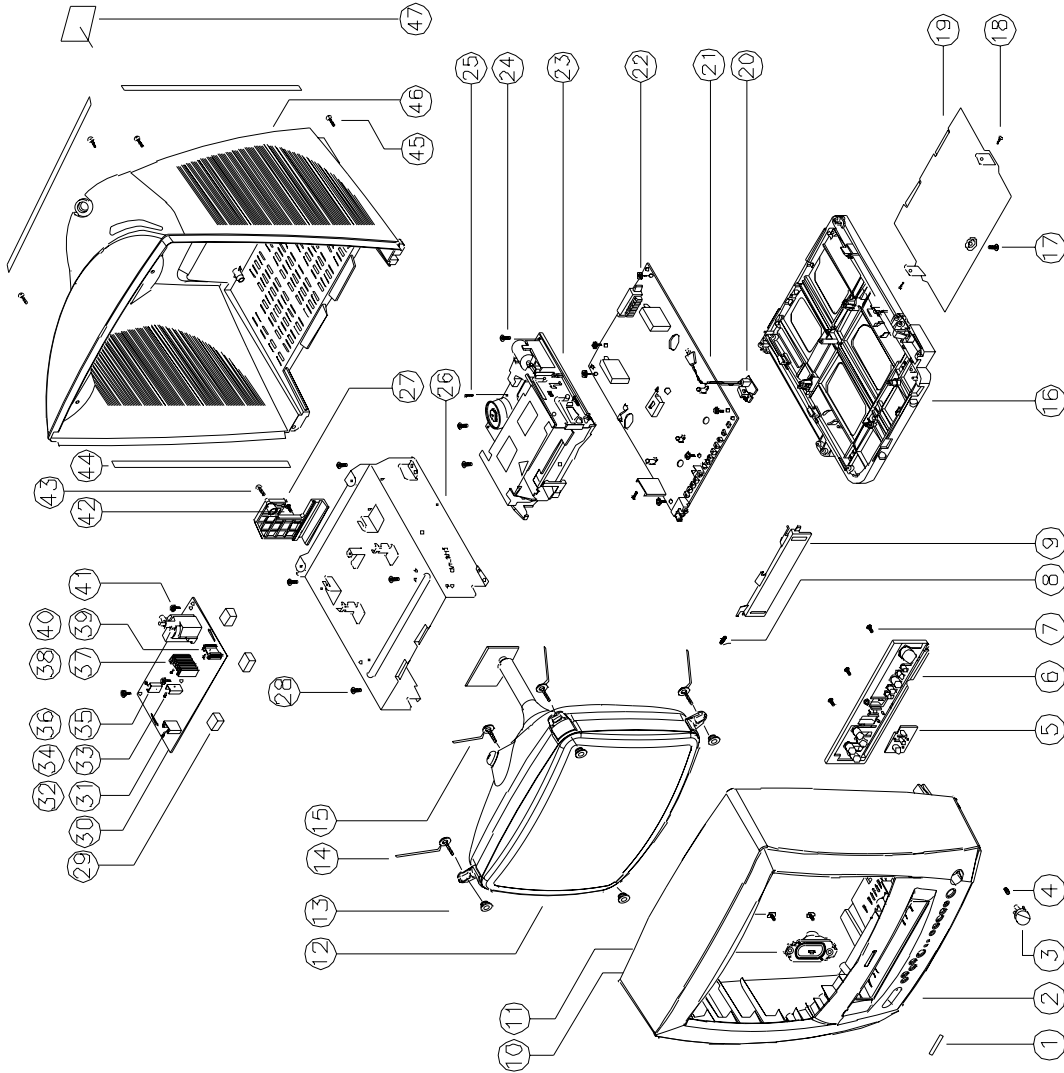
No	PART CODE	PART NAME	QTY	MATERIAL	REMARKS
49	4855415800	SPEC. PLATE	1	150ART P/E FILM	
48	7172401612	SCREW TAPPTITE	1	T2 TRS 4X16 MFZN BK	47+12
47	4852158501	COVER BACK	1	HPS GY	
46	7172401612	SCREW TAPPTITE	4	T2 TRS 4X16 MFZN BK	47+2
45	4857817610	CLOTH BLACK	3	FELT 10.7 L=500	
44	7172401612	SCREW TAPPTITE	1	T2 TRS 4X16 MFZN BK	28+31
43	7178301011	SCREW TAPPTITE	1	T2 WAS 3X10 MFZN	28+27
42	7178301011	SCREW TAPPTITE	3	T2 WAS 3X10 MFZN	31+27
41	7174300811	SCREW TAPPTITE	1	T2 RND 3X8 MFZN	
40	4857031500	HEAT SINK	1	AL EX	
39	7174300811	SCREW TAPPTITE	1	T2 RND 3X8 MFZN	
38	4857028201	HEAT SINK	1	AL EX	
37	7174300811	SCREW TAPPTITE	1	T2 RND 3X8 MFZN	
36	4857027800	HEAT SINK	1	AL EX	
35	7174300811	SCREW TAPPTITE	1	T2 RND 3X8 MFZN	
34	4857027800	HEAT SINK	1	AL EX	
33	7174300811	SCREW TAPPTITE	1	T2 RND 3X8 MFZN	
32	4857027701	HEAT SINK	1	AL EX	
31	4859815111	PCB POWER	1		
30	4857913304	RUBBER CUSHION	2	FR RUBBER SPONDE	
29	7172401612	SCREW TAPPTITE	4	T2 TRS 4X16 MFZN BK	27+17
28	4853953200	BKRT PCB	1	FR HPS BK	
27	4857248300	SHIELD TOP	1	SECC T0.8	
26	7178301211	SCREW TAPPTITE	1	T2 WAS 3X12 MFZN	24+17
25	7172401612	SCREW TAPPTITE	3	T2 TRS 4X16 MFZN BK	24+17
24	4851931000	DECK AS	1	DRS-9400N	
23	7178301011	SCREW TAPPTITE	6	T2 WAS 3X10 MFZN	22+17
22		PCB MAIN	1		
21		POWER SWITCH PCB	1		
20	4857243000	SHIELD BOTTOM	1	SECC-O T0.5	
19	7178301011	SCREW TAPPTITE	2	T2 WAS 3X10 MFZN	20+27
18	7178301011	SCREW TAPPTITE	1	T2 WAS 3X10 MFZN	20+17
17	4853818100	FRAME MAIN PCB	1	FR HPS BK	
16	4856013301	SCREW CRT FIXING	2	30X140 YL	13+2
15	4856013300	SCREW CRT FIXING	2	30X80 BK	13+2
14	4856214902	WASHER RUBBER	4	CR T0.2	
13	PIRTPWA643	CRT AS	1		
12	4853312501	RETA BACK	1	HPS NC	
11	4856013600	SCREW SPKR FIX	2	SWRM+SECC	10+2
10	4846306000	SPEAKER SYSTEM	1	SS-5570A01 3W 8OHM	
9	4852817761	DOOR F/L	1	ABS GY	
8	4856723400	SPRING	1	SWPB 00.4	
7	7178301011	SCREW TAPPTITE	3	T2 WAS 3X10 MFZN	6+2
6	4854948301	BUTTON CH	1	ABS GY	
5	4856543100	DECO SENSOR	1	PMMA	
4	4856716000	SPRING	1	SWPA 00.4	
3	4854858901	BUTTON POWER	1	ABS GY	
2	4852076601	MASK FRONT	1	HPS GY	
1	485361365S	MARK BRAND	1	SILVER ETCHING DIA-CUT	



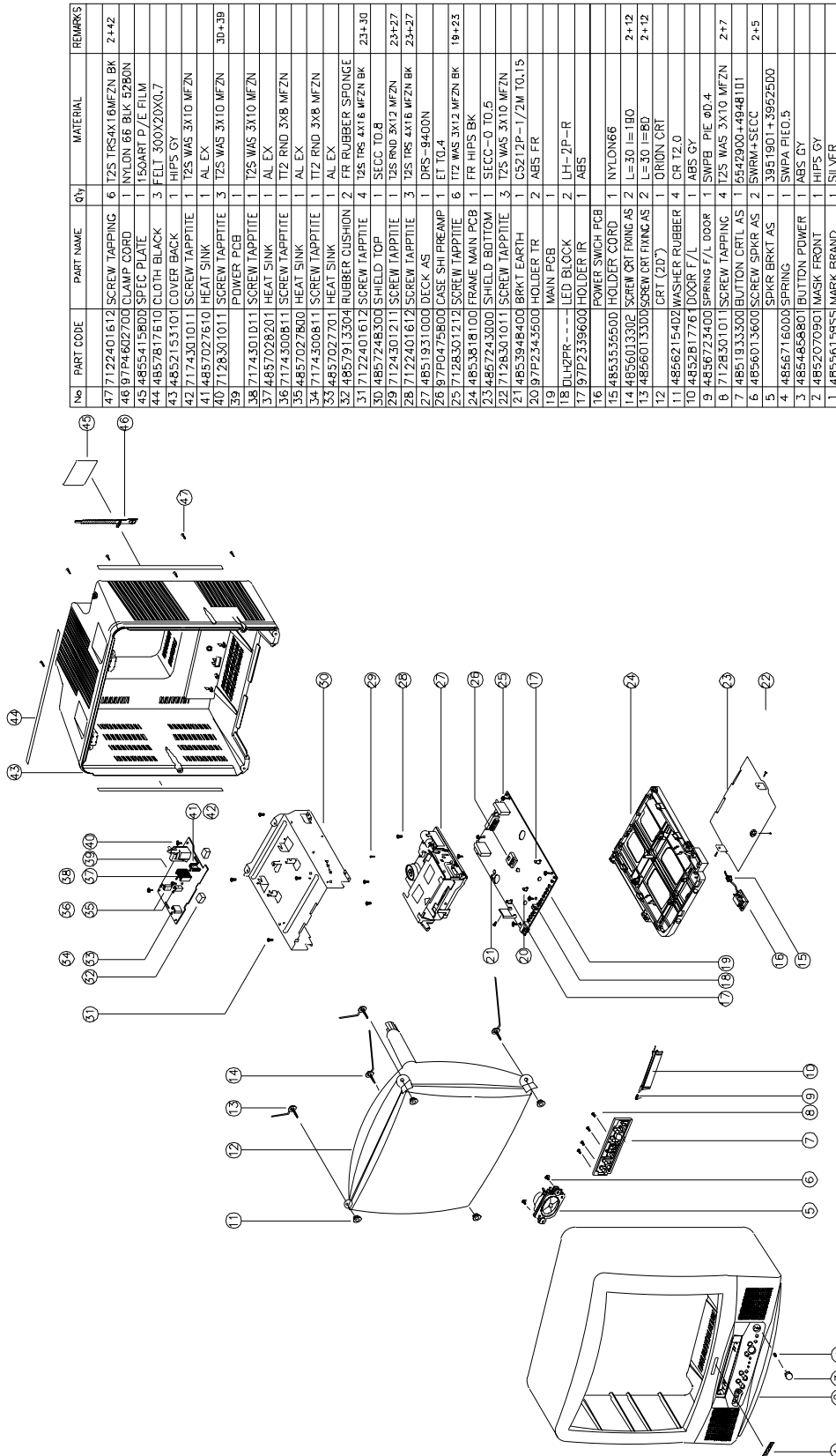
EXPLODED VIEW

2. 14H4

NO	PART CODE	PART NAME	QTY	MATERIAL	REMARKS
47	4855415800	SPEC PLATE	1	150ART P/E FILM(C/TV)	
48	4852158601	COVER BACK	1	HIPS CY	
45	7172401612	SCREW TAPPTITE	4	TT2 TRS 4X16 MFZN BK	2+46
44	4857817810	CLOTH BLACK	3	FELT 300X20X0.7	
43	7174301612	SCREW TAPPTITE	1	TT2 TRS 4X16MFZN BK	26+27
42	7174301011	SCREW TAPPTITE	1	TT2 WAS 3X10 MFZN	26+27
41	7174301011	SCREW TAPPTITE	3	TT2 WAS 3X10 MFZN	26+30
40	7174300811	SCREW TAPPTITE	1	TT2 RND 3X8 MFZN	
39	4857031300	HEAT SINK	1	AL EX	
38	7174300811	SCREW TAPPTITE	1	TT2 RND 3X8 MFZN	
37	4857028201	HEAT SINK	1	AL EX	
36	7174300811	SCREW TAPPTITE	1	TT2 RND 3X8 MFZN	
35	4857027800	HEAT SINK	1	AL EX	
34	7174300811	SCREW TAPPTITE	1	TT2 RND 3X8 MFZN	
33	4857027800	HEAT SINK	1	AL EX	
32	7174300811	SCREW TAPPTITE	1	TT2 RND 3X8 MFZN	
31	4857027701	HEAT SINK	1	AL EX	
30	4859813111	POWER PCB	1		
29	4857813304	RUBBER CUSHION	3	FR RUBBER SPONGE	
28	7172401612	SCREW TAPPTITE	4	TT2 TRS 4X16 MFZN BK	16+26
27	4853953200	BRKT PCB	1	FR HIPS BK	
26	4867248300	SHIELD TOP	1	SECC T0.8	
25	7178901212	SCREW TAPPTITE	1	TT2 WAS 3X12 MFZN BK	16+23
24	7172401612	SCREW TAPPTITE	3	TT2 TRS 4X16 MFZN BK	16+23
23	4851942300	DECK AS	1	DRS-9400N	
22	7178301011	SCREW TAPPTITE	6	TT2 WAS 3X10 MFZN	16+21
21	4858603883	MAIN PCB	1		
20		POWER SWITCH PCB	1		
19	4867243000	SHIELD BOTTOM	1	SECC-O T0.5	
18	7178301011	SCREW TAPPTITE	1	TT2 WAS 3X10 MFZN	16+19
17	7178301011	SCREW TAPPTITE	2	TT2 WAS 3X10 MFZN	19+26
16	4853818100	FRAME MAIN PCB	1	FR HIPS BK	
15	4856013300	SCREW CRT FIXING	2	30X80 BK	
14	4856013301	SCREW CRT FIXING	2	30X140 YL	
13	4856215402	WASHER RUBBER	4	CR T2.0	
12		CRT AS	1	DVT-14HF	
11	4856013600	SCREW SPKR FX	2	SWRM+SECC	2+10
10	4848306800	SPEAKER SYSTEM	1	3W 80PM AJCC-560	
9	4852817761	DOOR F/L	1	ABS CY	
8	4856723400	SPRING	1	SWPB ø0.4	
7	7178301011	SCREW TAPPTITE	3	TT2 WAS 3X10 MFZN	2+6
6	4854948401	BUTTON CH	1	ABS CY	
5	486043200	DECO SENSOR	1	PMMA	
4	4856716000	SPRING	1	SWPA ø0.5	
3	4854659001	BUTTON POWER	1	ABS CY	
2	4852078701	MASK FRONT	1	HIPS CY	
1	4860613655	MARK BRAND	1	SILVER ETCHING DIA-CUT	



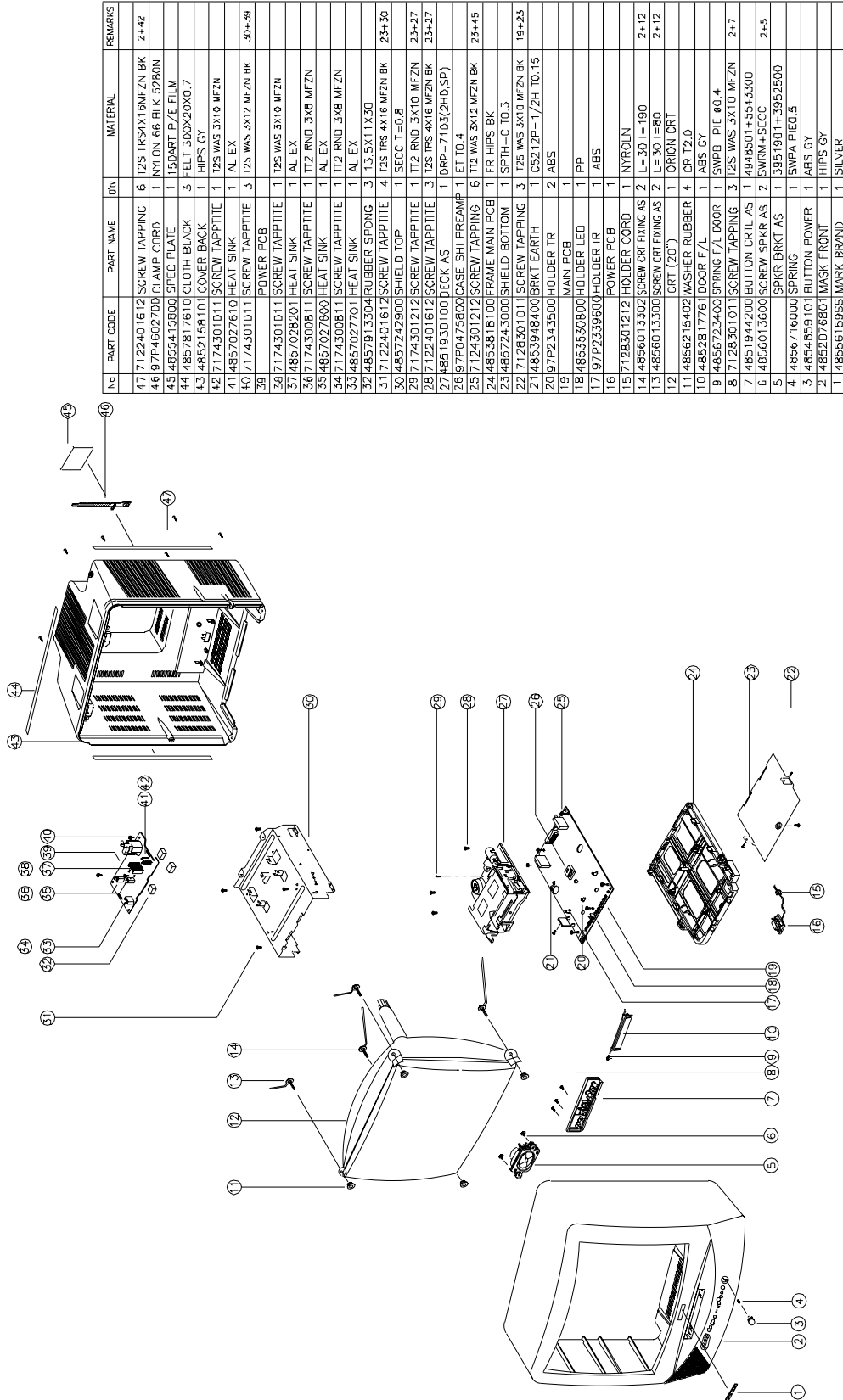
3. 20H3



No	PART CODE	PART NAME	Qty	MATERIAL	REMARKS
47	7122401612	SCREW TAPPING	6	T2S TRS4X16MFZN BK	2+42
46	97P4602700	CLAMP CORD	1	NYLON 66 BK 5280N	
45	4855415800	SPFC PLATE	1	150ART P/E FILM	
44	4857817610	CLOTH BLACK	3	FELT 300X20X0.7	
43	4852153101	COVER BACK	1	HIPS GY	
42	7174301011	SCREW TAPPING	1	T2S WAS 3X10 MFZN	
41	4857027610	HEAT SINK	1	AL EX	
40	7128301011	SCREW TAPPING	3	T2S WAS 3X10 MFZN	3D+3B
39		POWER PCB	1		
38	7174301011	SCREW TAPPING	1	T2S WAS 3X10 MFZN	
37	4857028201	HEAT SINK	1	AL EX	
36	7174300811	SCREW TAPPING	1	T12 RND 3X8 MFZN	
35	4857027800	HEAT SINK	1	AL EX	
34	7174300811	SCREW TAPPING	1	T12 RND 3X8 MFZN	
33	4857027701	HEAT SINK	1	AL EX	
32	4857913304	RUBBER CUSHION	2	FR RUBBER SPONGE	
31	7122401612	SCREW TAPPING	4	T2S TRS 4X16 MFZN BK	23+30
29	7124301211	SHIELD TOP	1	SECC TO B	23+27
30	4857248300	SHIELD TOP	1	SECC TO B	23+27
28	7128301212	SCREW TAPPING	3	T2S TRS 4X16 MFZN BK	25+27
27	4851931000	DECK AS	1	DRS-9400N	
26	97P0479800	CASE SHI PREAMP	1	EI TO.4	
25	7128301212	SCREW TAPPING	6	T12 WAS 3X12 MFZN BK	19+23
24	4853818100	FRAME MAIN PCB	1	FR HIPS BK	
23	4857243000	SHIELD BOTTOM	1	SECC-0 TO.5	
22	7128301011	SCREW TAPPING	3	T2S WAS 3X10 MFZN	
21	4853948400	BRKT EARTH	1	C5212P-1/2M TO.15	
20	97P2343500	HOLDER TR	2	ABS FR	
19		MAIN PCB	1		
18	DLHPR- ---	LED BLOCK	2	LH-2P-R	
17	97P2339600	HOLDER IR	1	ABS	
16		POWER SWICH PCB	1		
15	4853535500	HOLDER CORD	1	NYLON66	
14	4856013302	SCREW CRT FIXING AS	2	L=30 I=180	2+12
13	48566013300	SCREW CRT FIXING AS	2	L=30 I=80	2+12
12		CRT (20")	1	ORION CRT	
11	4856215402	WASHER RUBBER	4	CR T2.0	
10	485281776	DOOR F/L	1	ABS GY	
9	4856723400	SPRING F/L DOOR	1	SWPE PIE ØD.4	
8	7128301011	SCREW TAPPING	4	T2S WAS 3X10 MFZN	2+7
7	4851933300	BUTTON CRTL AS	1	6542900+4948101	
6	4856013600	SCREW SPKR AS	2	SWRM+SECC	2+5
5		SPKR BRKT AS	1	3951901+3962500	
4	4856716000	SPRING	1	SWPA FILED.5	
3	4864858801	BUTTON POWER	1	ABS GY	
2	4852070901	MASK FRONT	1	HIPS GY	
1	4855615935	MARK BRAND	1	SILVER	

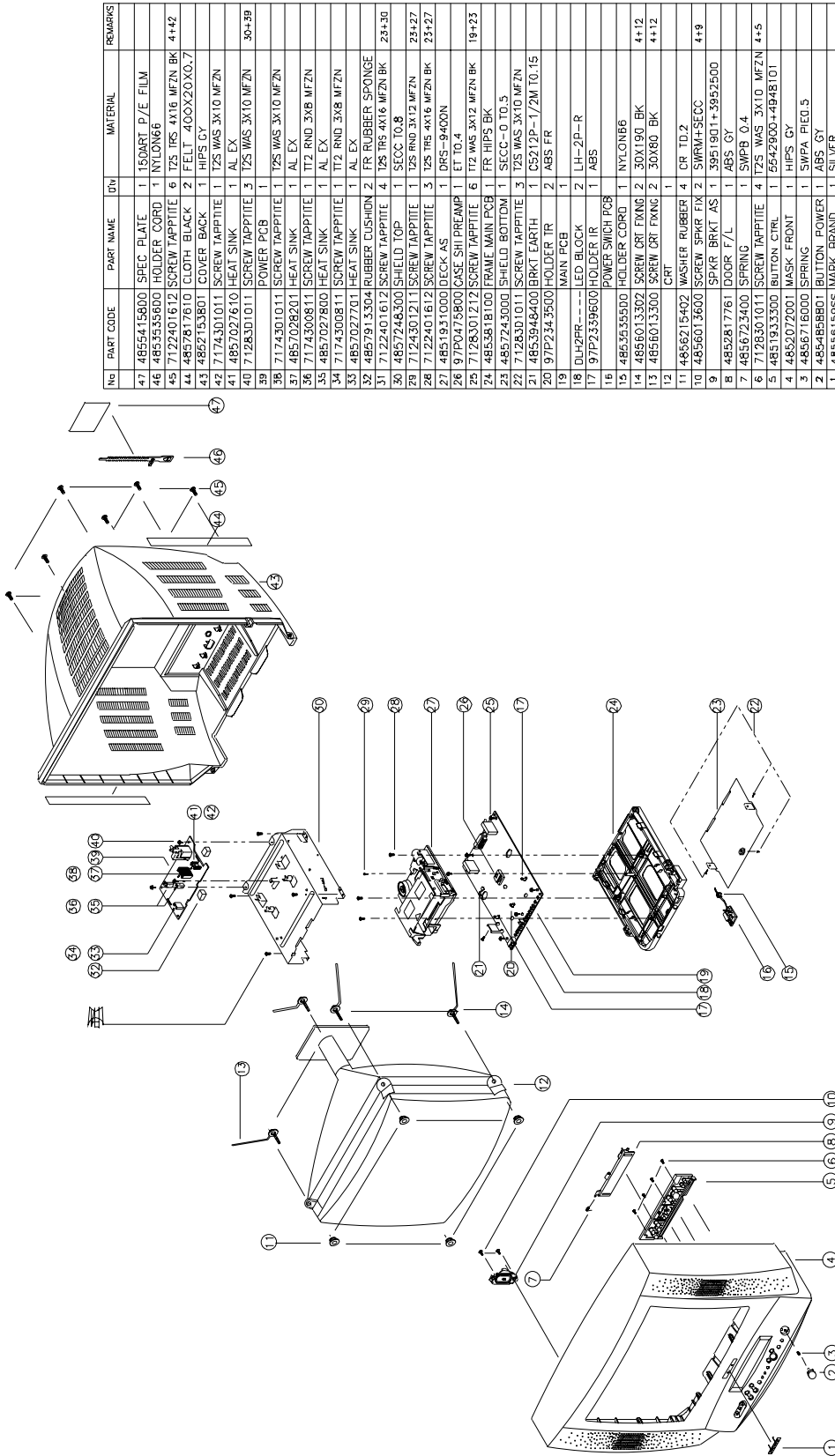
EXPLODED VIEW

4. 20H4



№	PART CODE	PART NAME	QTY	MATERIAL	REMARKS
47	7122401612	SCREW TAPPING	6	T2S TRS4X16MFZN BK	2+42
46	97P4602703	CLAMP CORD	1	NYLON 66 BLK 5280N	
45	4855415800	SPEC PLATE	1	115DART P/E FILM	
44	4857817610	CLOTH BLACK	3	FELT 300X20X0.7	
43	4852158101	COVER BACK	1	HIPS GY	
42	7174301011	SCREW TAPPTITE	1	T2S WAS 3X10 MFZN	
41	4857027610	HEAT SINK	1	AL EX	
40	7174301011	SCREW TAPPTITE	3	T2S WAS 3X12 MFZN BK	30+38
39		POWER PCB			
38	7174301011	SCREW TAPPTITE	1	T2S WAS 3X10 MFZN	
37	4857028201	HEAT SINK	1	AL EX	
36	7174300811	SCREW TAPPTITE	1	T2 RND 3X8 MFZN	
35	4857027800	HEAT SINK	1	AL EX	
34	7174300811	SCREW TAPPTITE	1	T2 RND 3X8 MFZN	
33	4857027701	HEAT SINK	1	AL EX	
32	4857013304	RUBBER SPONG	3	1.3 5X11 X 30	
31	7122401612	SCREW TAPPTITE	4	T2S IRS 4X16 MFZN BK	25+30
30	4857242900	SHIELD TOP	1	SECC T=0.8	
29	7174301212	SCREW TAPPTITE	1	T2 RND 3X10 MFZN	23+27
28	7122401612	SCREW TAPPTITE	3	T2S IRS 4X16 MFZN BK	23+27
27	4851930100	DECK AS	1	DRP-7103(2HD,SP)	
26	97P0475800	CASE SHI PREAMP	1	ET TO.4	
25	7124301212	SCREW TAPPING	6	T12 WAS 3X12 MFZN BK	23+45
24	48538518100	FRAME MAIN PCB	1	FR HPS BK	
23	4857243000	SHIELD BOTTOM	1	SPTH-C TO.3	
22	7128301011	SCREW TAPPING	3	T2S WAS 3X10 MFZN BK	19+23
21	4853948400	BRKT EARTH	1	C5212P=172H TO.15	
20	97P2343500	HOLDER TR	2	ABS	
19		MAIN PCB			
18	4853530800	HOLDER LED	1	PP	
17	97P2339600	HOLDER IR	1	ABS	
16		POWER PCB			
15	7128301212	HOLDER CORD	1	NYROLN	
14	4856013302	SCREW CRT FIXING AS	2	L=30 T=190	2+12
13	4856013500	SCREW CRT FIXING AS	2	L=30 T=60	2+12
12		CRT (20")		ORION CRT	
11	4856215402	WASHER RUBBER	4	CR T2.0	
10	4852817761	DOOR F/L	1	ABS GY	
9	4856723400	SPRING F/L DOOR	1	SWPB PIE Ø0.4	
8	7128301011	SCREW TAPPING	3	T2S WAS 3X10 MFZN	2+7
7	4851944300	BUTTON CTRL AS	1	4848501+5543300	
6	4856013600	SCREW SPRK AS	2	SWRM+SECC	2+5
5		SPKR BRKT AS		1395190 T+3952500	
4	4856716000	SPRING	1	15WPA PIE0.5	
3	4854659101	BUTTON POWER	1	ABS GY	
2	485276801	MASK FRONT	1	HIPS GY	
1	485561595S	MARK BRAND	1	SILVER	

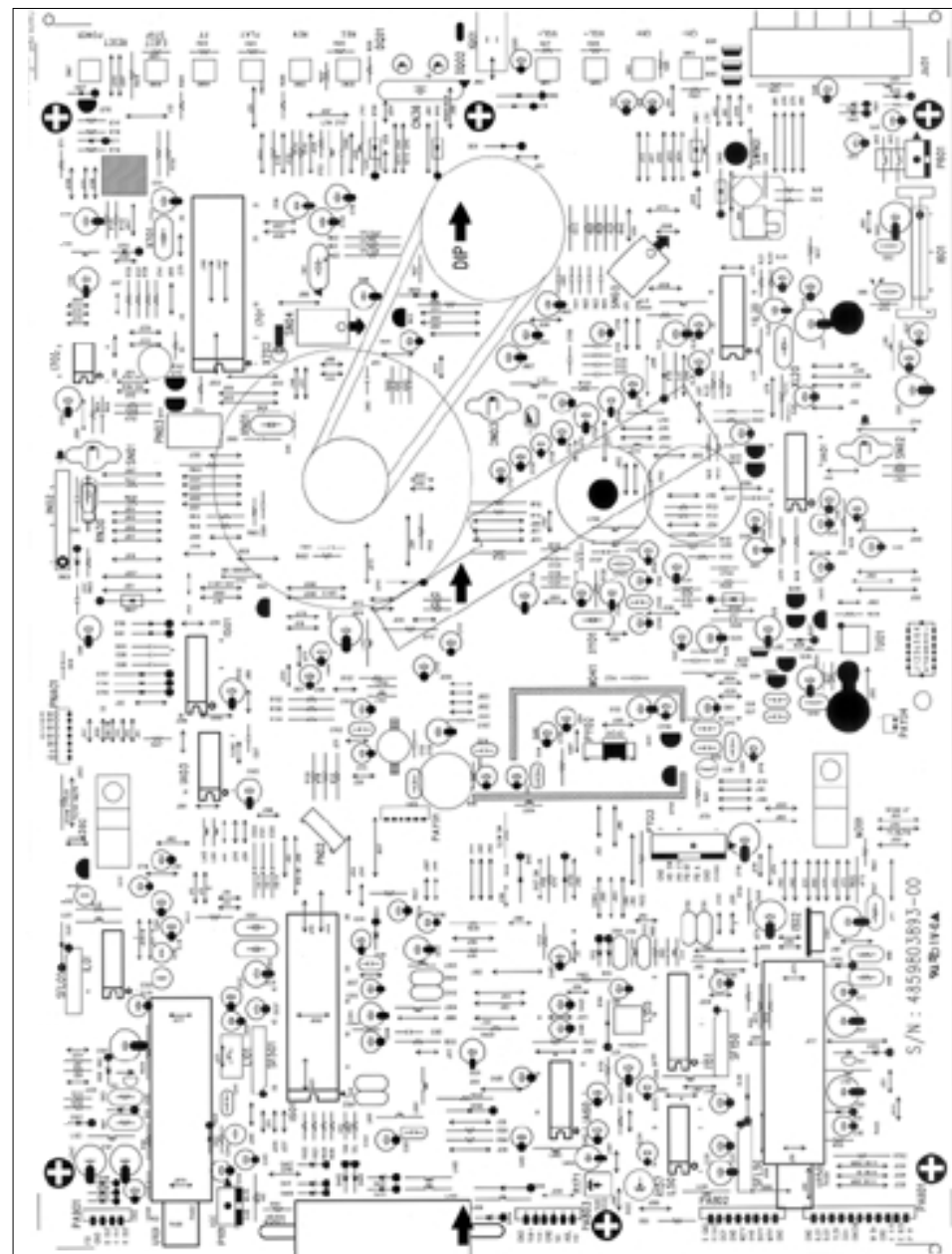
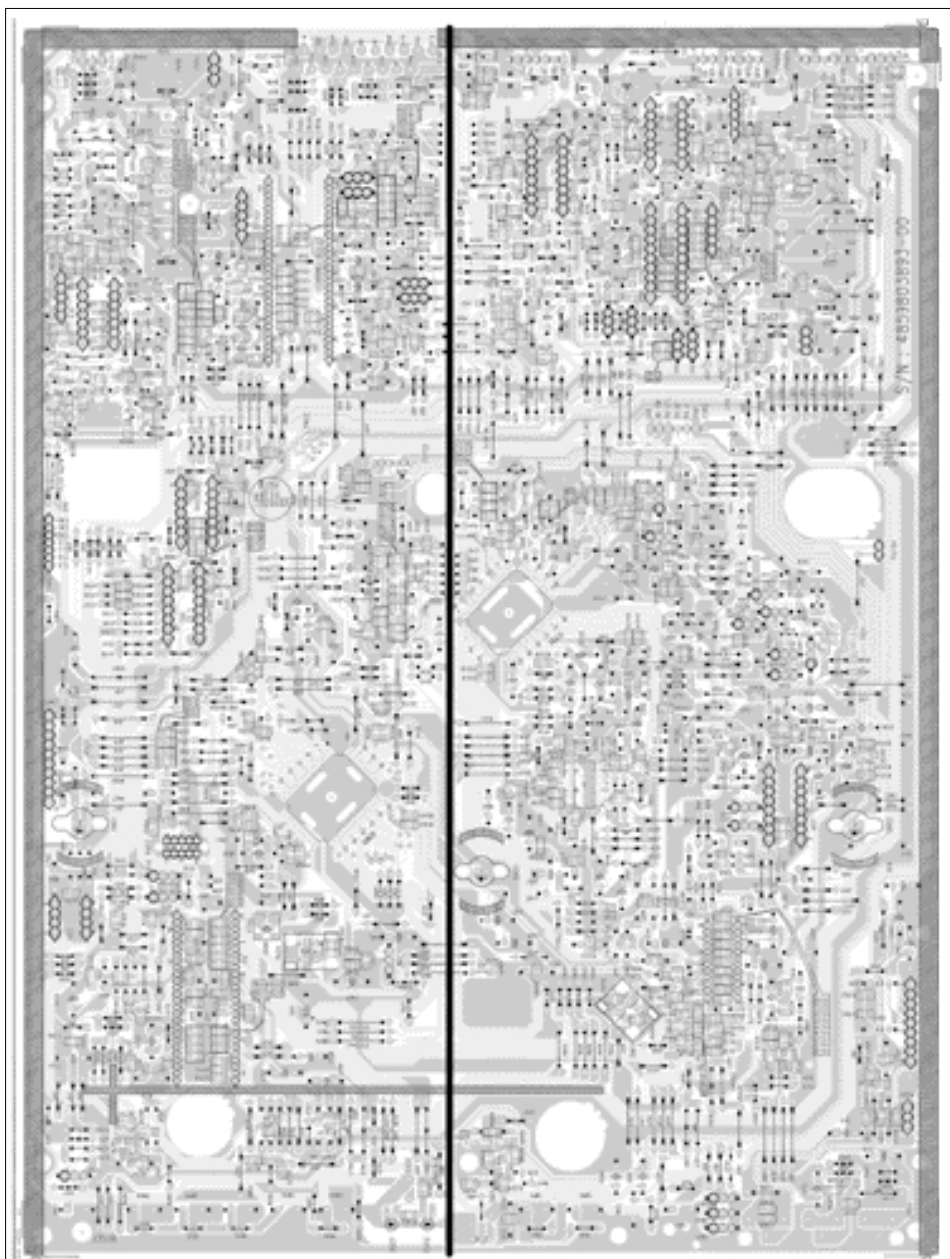
5. 21H4



No	PART CODE	PART NAME	QTY	MATERIAL	REMARKS
47	4855415800	SPEC PLATE	1	150ART_P/E FILM	
48	48535359600	HOLDER CORD	1	NYLON66	
45	7122401612	SCREW TAPPTITE	6	T25 T6S 4X18 MFXN BK	4+42
44	4857817810	CLOTH BLACK	2	FELT 400X200X0.7	
43	4852153801	COVER BACK	1	HIPS_GY	
42	7174301011	SCREW TAPPTITE	1	T25 WAS 3X10 MFXN	
41	4857027610	HEAT SINK	1	AL_EX	
40	7128301011	SCREW TAPPTITE	3	T25 WAS 3X10 MFXN	30+39
39		POWER PCB	1		
38	7174301011	SCREW TAPPTITE	1	T25 WAS 3X10 MFXN	
37	4857028201	HEAT SINK	1	AL_EX	
36	7174300811	SCREW TAPPTITE	1	TT2 RND 3X8 MFXN	
35	4857027800	HEAT SINK	1	AL_EX	
34	7174300811	SCREW TAPPTITE	1	TT2 RND 3X8 MFXN	
33	4857027701	HEAT SINK	1	AL_EX	
32	4857813304	RUBBER CUSHION	2	FRS RUBBER SPONGE	
31	7122401612	SCREW TAPPTITE	4	T25 TRS 4X16 MFXN BK	23+30
30	4857248300	SHIELD TOP	1	SECC 10.8	
29	7122401612	SCREW TAPPTITE	1	T25 RND 3X12 MFXN	25+27
28	7122401612	SCREW TAPPTITE	3	T25 TRS 4X16 MFXN BK	21+27
27	4851931000	DECK AS	1	DRS-9400N	
26	97P0475800	CASE SHI PREAMP	1	ET TO.4	
25	7128301212	SCREW TAPPTITE	6	TT2 WAS 3X12 MFXN BK	19+23
24	4853818100	FRAME MAIN PCB	1	FR HIPS BK	
23	4857243000	SHIELD BOTTOM	1	SECC-O TO.5	
22	7128301011	SCREW TAPPTITE	3	T25 WAS 3X10 MFXN	
21	4853948400	BRKT EARTH	1	C5212P-1/2M TO.15	
20	97P23435010	HOLDER TR	2	ABS_FR	
19		MAIN PCB	1		
18	DLH2PB	LED BLOCK	2	LH-2P-R	
17	97P2339600	HOLDER IR	1	ABS	
16		POWER SWITCH PCB	1		
15	48535355500	HOLDER CORD	1	NYLON86	
14	4856013302	SCREW CRT FIXNG	2	30X190 BK	4+12
13	4856013300	SCREW CRT FIXNG	2	30X80 BK	4+12
12		CRT	1		
11	4856215402	WASHER RUBBER	4	CR TO.2	
10	4856013600	SCREW SPRK FIX	2	SWRM+SECC	4+9
9		SPKR BRKT AS	1	3951901+3952500	
8	4852817761	DOOR F/L	1	ABS_GY	
7	4856723400	SPRING	1	SWPR 0.4	
6	7128301011	SCREW TAPPTITE	4	T25 WAS 3X10 MFXN	4+5
5	4851933300	BUTTON_CTRL	1	5642900+4948101	
4	4852072001	MASK_FRONT	1	HIPS_GY	
3	4856716000	SPRING	1	SWPA PIEG.5	
2	4854858801	BUTTON_POWER	1	ABS_GY	
1	4855615955	MARK BRAND	1	SILVER	

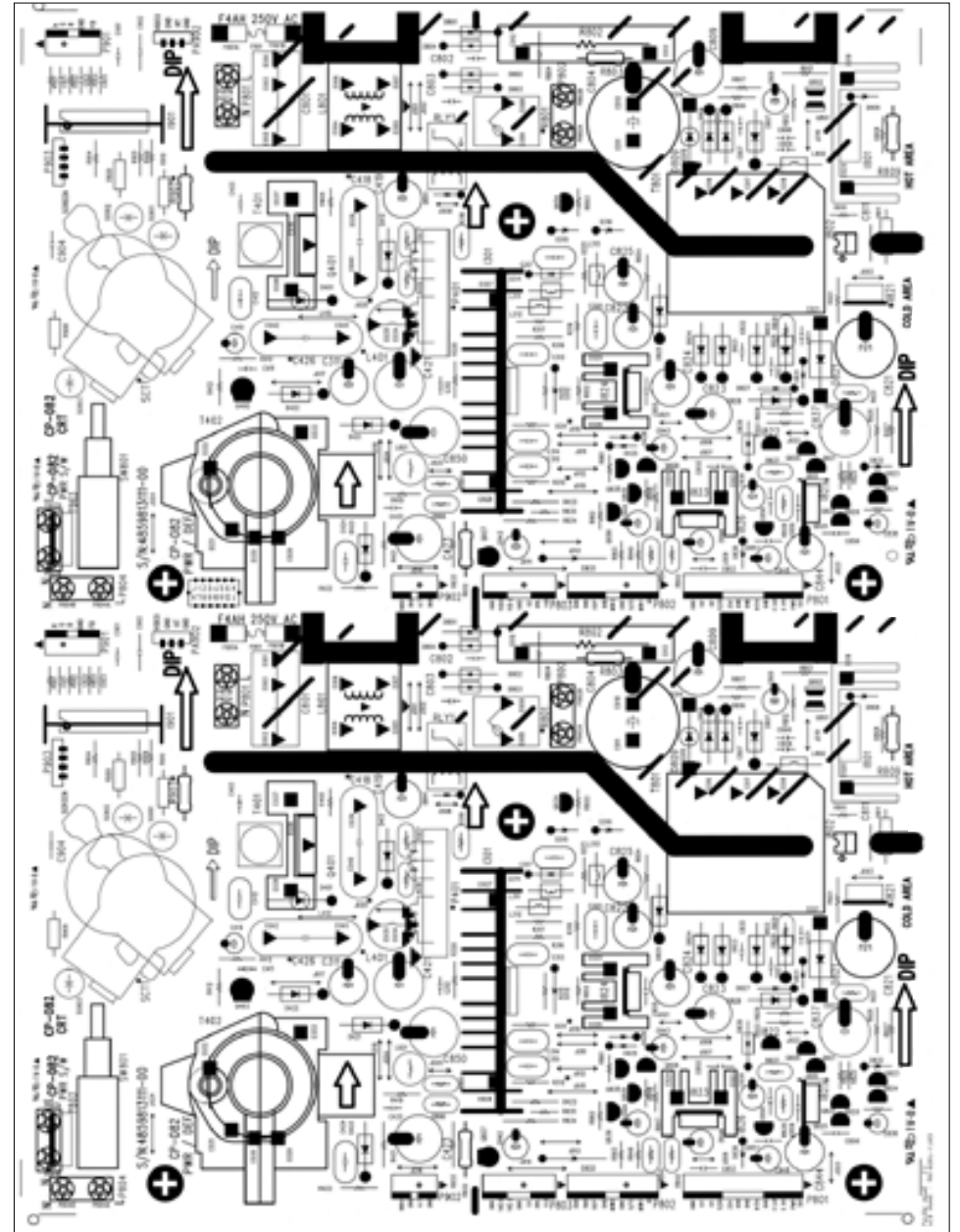
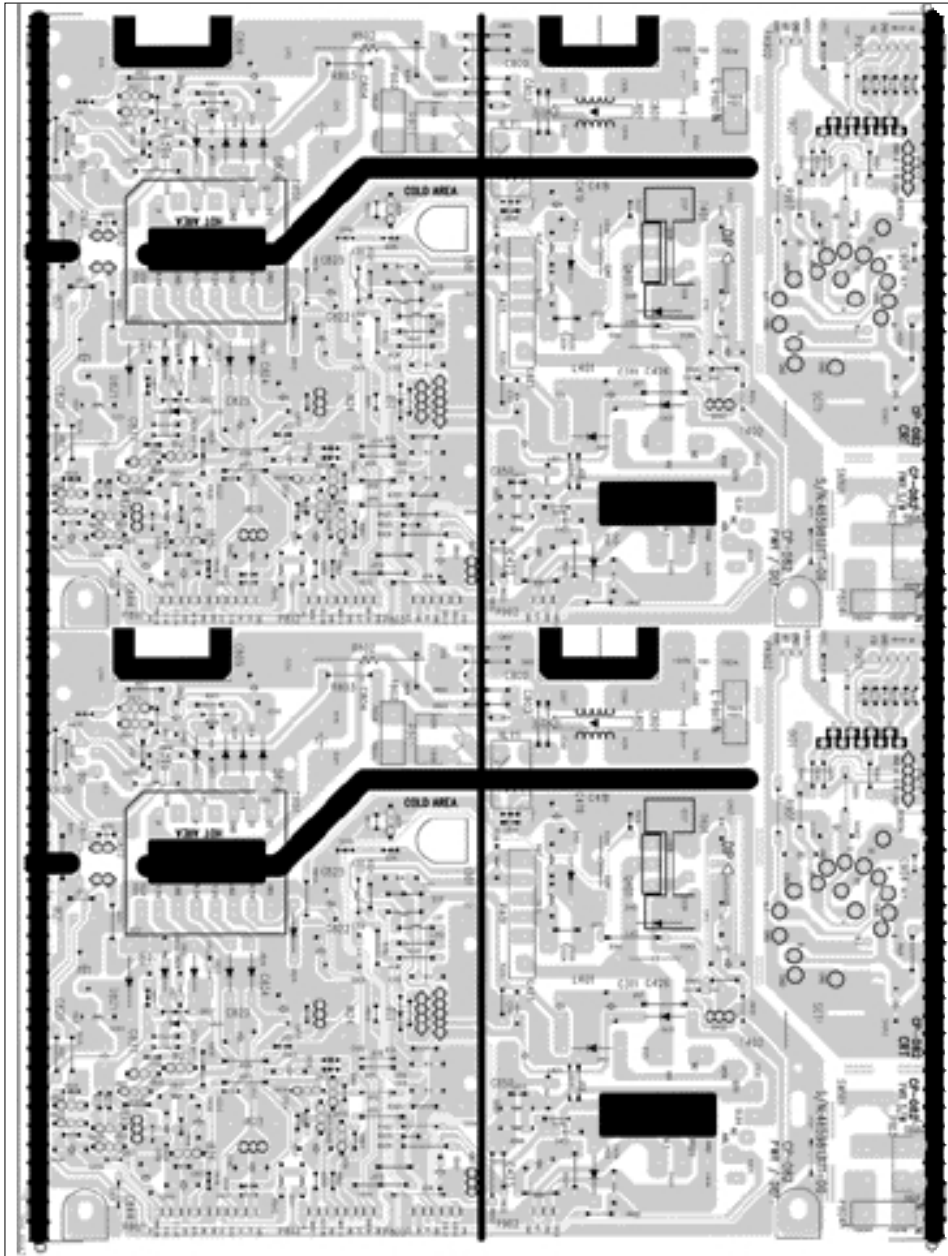
PRINTED CIRCUIT BOARD

PCB MAIN



PRINTED CIRCUIT BOARD

PCB POWER



SERVICE PARTS LIST

CAUTION

“△” is safety component, so it must be used the same component.

“Ⓡ” is recomendable part for stock.

* Model : F14H3T2

LOC	PART CODE	PART NAME	DESCRIPTION	REMARK	LOC	PART CODE	PART NAME	DESCRIPTION	REMARK
ZZ100	48B4446C16	TRANSMITTER REMOCON	R-46C16 (AAA)	Ⓡ	DQ02	DLH2PR----	LED BLOCK	LH-2P-R	
ZZ110	PTACPWA668	ACCESSORY AS	DVT-14H3LA		I151	1TDA9802--	IC RF	TDA9802	Ⓡ
10	4850Q00910	BATTERY	R03/NN		I501	1TDA8842N2	IC VIDEO	TDA8842/N2	Ⓡ
20	4850A03310	ANT ROD	PH-RM-008A		I502	1KA7808---	IC REGULATOR	KA7808	Ⓡ
ZZ120	PTBCSHA668	COVER BACK AS	DVT-14H3LA	Ⓡ	I601	PTJ1SW8902	HEAT SINK ASS'Y	1TDA8943SF + 7174300811	
M211	4852158501	COVER BACK	HIPS GY		1	1TDA8943SF	IC AUDIO AMP	TDA8943SF	Ⓡ
M781	4857817610	CLOTH BLACK	FELT 300X20X0.7		0000A	4857018902	HEAT SINK	A1050P-H24	
ZZ130	PTPKCPA668	PACKING AS	DVT-14H3LA		0000B	7174300811	SCREW TAPPITTE	TT2 RND 3X8 MFZN	
M801	4858035800	BOX CARTON	"SW-3 DVT-1488,1484"		I701	1SDA555XFL	IC MICOM OTP	SDA555XFL	Ⓡ
M801A	6520010100	STAPLE PIN	18MM J D O		I702	1AT24C16PC	IC	AT24C16-10PC	Ⓡ
M811	4858195900	PAD	EPS 14H3		IA01	1TC4053BP-	IC	TC4053BP	Ⓡ
M821	4858213800	BAG INSTRUCTION	L.D.PE T0.05X250X400		IA03	1TC4066BP-	IC	TC 4066BP	Ⓡ
M822	4858215700	BAG PE	PE FOAM t0.5x1050X950		IA60	1TC4053BP-	IC	TC4053BP	Ⓡ
ZZ131	48519A4710	CRT GROUND NET	1401S-1015-1P		IL01	1STV8225--	IC SIF	STV8225	Ⓡ
ZZ132	58G0000084	COIL DEGAUSSING	DC-1450	△	IL20	1TA1238N--	IC SECAM.L	TA1238N	Ⓡ
ZZ140	PTCACAA668	CABINET AS	DVT-14H3LA	Ⓡ	IL50	1STV8225--	IC SIF	STV8225	Ⓡ
M191	4851944400	BUTTON CTRL	4948301+5543100	Ⓡ	IN02	1K1A6801K-	IC MOTOR DRIVER	K1A6801K	Ⓡ
M191A	7178301011	SCREW TAPPITTE	TT2 WAS 3X10 MFZN		IQ01	1KRT30----	IC PREAMP	KRT30	Ⓡ
M201A	4856013300	SCREW CRT FIXING	30X80 BK		JA01	4859109950	JACK PIN BOARD	PH-JB-9710A	
M201B	4856013301	SCREW CRT FIXING	30X140 YL		JS01	4859200401	SOCKET RGB	YRS21-R1	
M201C	4856215402	WASHER RUBBER	CR T2.0		L155	58B0000S88	COIL PIF	TRF-7780A (STICK)	
M211A	7172401612	SCREW TAPPITTE	TT2 TRS 4X16 MFZN BK		M041	97P0475800	CASE SHI PREAMP	ET T0.4	
M281	4852817761	DOOR F/L	ABS GY		M191	4851931000	DECK AS	DRS-9400N	Ⓡ
M281A	4856723400	SPRING	SWPB 0.4		M191A	7172401612	SCREW TAPPITTE	TT2 TRS 4X16 MFZN BK	
M461	97P4602700	CLAMP CORD	NYLON 66 BLK 5280N		M191B	7178301212	SCREW TAPPITTE	TT2 WAS 3X12 MFZN BK	
M481	4854858901	BUTTON POWER	ABS GY	Ⓡ	M191C	97P0919100	PLATE EARTH AB	SUS 304 CSP T=0.2	
M481A	4856716000	SPRING	SWPA PIE0.5		M191D	7278300611	SCREW TAPPITTE	TT3 WAS 3X6 MFZN	
M541	4855415800	SPEC PLATE	150ART P/E FILM (C/TV)		M381	4853818100	FRAME MAIN PCB	FR HIPS BK	
M561	48556136SS	MARK BRAND	SILVER ETCHING DIA-CUTTIN		M381A	7178301011	SCREW TAPPITTE	TT2 WAS 3X10 MFZN	
SP01A	4856013600	SCREW SPKR FIX	SWRM+SECC		M391	4853948400	BRKT EARTH	C5212P-1/2M T0.15	
V901	4859609841	CRT	A34AGT14X71 P38	△	M392	4853953200	BRKT PCB	FR HIPS BK	
ZZ200	PTFMSJA668	MASK FRONT AS	DVT-14H3LA	Ⓡ	M392A	7172401612	SCREW TAPPITTE	TT2 TRS 4X16 MFZN BK	
M201	4852076601	MASK FRONT	HIPS GY		M392B	7178301011	SCREW TAPPITTE	TT2 WAS 3X10 MFZN	
M331	4853312501	RETA BACK	HIPS NC		M721	4857248300	SHIELD TOP	SECC T0.8	
ZZ202	PTSPPPWA668	SPEAKER AS	DVT-14H3LA	Ⓡ	M721A	7172401612	SCREW TAPPITTE	TT2 TRS 4X16 MFZN BK	
PA601	4850703S50	CONNECTOR	YH025-03+35098+ULW=200		M721D	7178301011	SCREW TAPPITTE	TT2 WAS 3X10 MFZN	
SP01	48A8306000	SPEAKER SYSTEM	SS-5070A01 3W 8 OHM	Ⓡ	M722	4857243000	SHIELD BOTTOM	SECC-O T0.5	
ZZ290	PTMPMSA668	PCB MAIN MANUAL AS	DVT-14H3LA	Ⓡ	M722A	7178301011	SCREW TAPPITTE	TT2 WAS 3X10 MFZN	
DN03	DS15312H--	LED IR	SI5312-H		M722B	7178301011	SCREW TAPPITTE	TT2 WAS 3X10 MFZN	
DN03A	97P2339600	HOLDER IR	ABS		M791	4857913304	RUBBER CUSHION	FR RUBBER SPONGE	
DQ01	DLH2PR----	LED BLOCK	LH-2P-R		P101	485923162S	CONN WAFER	YW025-03 (STICK)	

SERVICE PARTS LIST

LOC	PART CODE	PART NAME	DESCRIPTION	REMARK	LOC	PART CODE	PART NAME	DESCRIPTION	REMARK
P601	485923162S	CONN WAFER	YW025-03 (STICK)		CC169	HCBK472KCA	C CHIP CERA	50V X7R 4700PF K 2012	
PA801	4850712V11	CONNECTOR	YH025-12+YST025+ULW=200		CC170	HCBK102KCA	C CHIP CERA	50V X7R 1000PF K 2012	
PA802	4850709S01	CONNECTOR	YH025-09+YST025+ULW=200		CC175	HCFK104ZCA	C CHIP CERA	50V Y5V 0.1MF Z 2012	
PA803	4850707S01	CONNECTOR	YH025-07+YST025+ULW=200		CC501	HCQK221JCA	C CHIP CERA	50V CH 220PF J 2012	
PA901	4850705S04	CONNECTOR	YH025-05+YST025+ULW=400		CC502	HCQK151JCA	C CHIP CERA	50V CH 150PF J 2012	
PAY01	4850706V10	CONNECTOR	60-8283-3068-45+UAW=150		CC504	HCQK560JCA	C CHIP CERA	50V CH 56PF J 2012	
PAY04	4850702V07	CONNECTOR	BIC-02H-20T+USW=100		CC506	HCQK100JCA	C CHIP CERA	50V CH 10PF J 2012	
PN02	4859292320	CONN WAFER	GF120-07S-TS		CC512	HCFK104ZCA	C CHIP CERA	50V Y5V 0.1MF Z 2012	
PN02A	4859200270	CONN FFC	K-7X140-0.25		CC514	HCFK104ZCA	C CHIP CERA	50V Y5V 0.1MF Z 2012	
PN03	4859278220	CONN WAFER	TKC-G10P-A1		CC517	HCQK181JCA	C CHIP CERA	50V CH 180PF J 2012	
PNA01	4850707V03	CONNECTOR	60-8283-3078-45+ULW=100		CC526	HCQK150JCA	C CHIP CERA	50V CH 15PF J 2012	
PY02	4859292320	CONN WAFER	GF120-07S-TS		CC527	HCQK150JCA	C CHIP CERA	50V CH 15PF J 2012	
PY03	485923202S	CONN WAFER	YW025-07 (STICK)		CC528	HCFK474ZCA	C CHIP CERA	Y5V 50V 0.47MF Z 2012	
RN30	RS02Y399JS	R M-OXIDE FILM	2W 3.9 OHM J SMALL		CC529	HCBK472KCA	C CHIP CERA	50V X7R 4700PF K 2012	
SF150	5PJ1952M--	FILTER SAW	J1952M		CC530	HCFK104ZCA	C CHIP CERA	50V Y5V 0.1MF Z 2012	
SF501	5PJ1952M--	FILTER SAW	J1952M		CC533	HCQK181JCA	C CHIP CERA	50V CH 180PF J 2012	
SFL01	5PL9653M--	FILTER SAW	L9653M		CC535	HCBK332KCA	C CHIP CERA	50V X7R 3300PF K 2012	
SFL50	5PL9653M--	FILTER SAW	L9653M		CC536	HCBK472KCA	C CHIP CERA	50V X7R 4700PF K 2012	
SN01	TST5811---	TR PHOTO	ST5811		CC538	HCQK181JCA	C CHIP CERA	50V CH 180PF J 2012	
SN01A	97P2343500	HOLDER TR	ABS FR		CC539	HCQK181JCA	C CHIP CERA	50V CH 180PF J 2012	
SN02	TST5811---	TR PHOTO	ST5811		CC540	HCBK102KCA	C CHIP CERA	50V X7R 1000PF K 2012	
SN02A	97P2343500	HOLDER TR	ABS FR		CC543	HCFK104ZCA	C CHIP CERA	50V Y5V 0.1MF Z 2012	
SN03	4850S00001	SENSOR REEL	SG-258S		CC545	HCBK392KCA	C CHIP CERA	50V X7R 3900PF K 2012	
SN04	4850S00001	SENSOR REEL	SG-258S		CC546	HCFK104ZCA	C CHIP CERA	50V Y5V 0.1MF Z 2012	
SWN01	5SN0101Z20	SW DETECT	JDS1105-6XD		CC548	HCBK102KCA	C CHIP CERA	50V X7R 1000PF K 2012	
TU01	5800000032	COIL OSC	DE0-006		CC550	HCBK103KCA	C CHIP CERA	50V X7R 0.01MF K 2012	
U101	4859721030	TUNER VARACTOR	TAEL-G772D	Ⓡ	CC552	HCBK103KCA	C CHIP CERA	50V X7R 0.01MF K 2012	
U150	4859719730	TUNER VARACTOR	DT5-BF15P	Ⓡ	CC554	HCQK151JCA	C CHIP CERA	50V CH 150PF J 2012	
U150A	4859004650	PLUG PHONE AS	PLUG+CABLE1365 AWG26=250B		CC576	HCBK472KCA	C CHIP CERA	50V X7R 4700PF K 2012	
X701	5XE6R0000C	CRYSTAL QUARTZ	HC-49/U 6.000MHZ 20PPM		CC602	HCBK822KCA	C CHIP CERA	50V X7R 8200PF K 2012	
X702	5XYR03276C	CRYSTAL QUARTZ	C-001R 32.768000KHZ 20PPM		CC619	HCFK104ZCA	C CHIP CERA	50V Y5V 0.1MF Z 2012	
XL20	5XJX4R286C	CRYSTAL QUARTZ	HC-49S 4.286000M 20PPM TP		CC620	HCBK102KCA	C CHIP CERA	50V X7R 1000PF K 2012	
XN01	5XJ16R000E	CRYSTAL QUARTZ	HC-49S 16.000000MHZ 30PPM		CC621	HCBK102KCA	C CHIP CERA	50V X7R 1000PF K 2012	
XY01	5XJX4R433B	CRYSTAL QUARTZ	HC-49S 4.433619M 15PPM TP		CC703	HCFK104ZCA	C CHIP CERA	50V Y5V 0.1MF Z 2012	
Z154	5PYXT5R5MB	FILTER CERA	XT 5.5MB		CC705	HCFK104ZCA	C CHIP CERA	50V Y5V 0.1MF Z 2012	
Z503	5PYXT5R5MB	FILTER CERA	XT 5.5MB		CC708	HCFK104ZCA	C CHIP CERA	50V Y5V 0.1MF Z 2012	
ZZ200	PTMPJ2A668	PCB CHIP MOUNT B AS	DVT-14H3LA		CC710	HCBK472KCA	C CHIP CERA	50V X7R 4700PF K 2012	
CC150	HCBK103KCA	C CHIP CERA	50V X7R 0.01MF K 2012		CC712	HCBK103KCA	C CHIP CERA	50V X7R 0.01MF K 2012	
CC156	HCBK102KCA	C CHIP CERA	50V X7R 1000PF K 2012		CC713	HCQK221JCA	C CHIP CERA	50V CH 220PF J 2012	
CC157	HCFK104ZCA	C CHIP CERA	50V Y5V 0.1MF Z 2012		CC715	HCBK103KCA	C CHIP CERA	50V X7R 0.01MF K 2012	
CC159	HCFK104ZCA	C CHIP CERA	50V Y5V 0.1MF Z 2012		CC716	HCFK104ZCA	C CHIP CERA	50V Y5V 0.1MF Z 2012	
CC160	HCQK820JCA	C CHIP CERA	50V CH 82PF J 2012		CC717	HCBK223KCA	C CHIP CERA	50V X7R 0.022MF K 2012	
CC161	HCBK333KCA	C CHIP CERA	50V X7R 0.033MF K 2012		CC719	HCBK103KCA	C CHIP CERA	50V X7R 0.01MF K 2012	
CC162	HCBK333KCA	C CHIP CERA	50V X7R 0.033MF K 2012		CC720	HCBK103KCA	C CHIP CERA	50V X7R 0.01MF K 2012	
CC163	HCBK223KCA	C CHIP CERA	50V X7R 0.022MF K 2012		CC721	HCBK103KCA	C CHIP CERA	50V X7R 0.01MF K 2012	
CC165	HCFK104ZCA	C CHIP CERA	50V Y5V 0.1MF Z 2012		CC722	HCBK103KCA	C CHIP CERA	50V X7R 0.01MF K 2012	
CC167	HCQK560JCA	C CHIP CERA	50V CH 56PF J 2012		CC724	HCBK103KCA	C CHIP CERA	50V X7R 0.01MF K 2012	

SERVICE PARTS LIST

LOC	PART CODE	PART NAME	DESCRIPTION	REMARK	LOC	PART CODE	PART NAME	DESCRIPTION	REMARK
CC726	HCQK330JCA	C CHIP CERA	50V CH 33PF J 2012		CCN32	HCFK104ZCA	C CHIP CERA	50V Y5V 0.1MF Z 2012	
CC727	HCQK330JCA	C CHIP CERA	50V CH 33PF J 2012		CCP01	HCBK103KCA	C CHIP CERA	50V X7R 0.01MF K 2012	
CC728	HCFK104ZCA	C CHIP CERA	50V Y5V 0.1MF Z 2012		CCP03	HCBK473KCA	C CHIP CERA	50V X7R 0.047MF K 2012	
CC730	HCFK104ZCA	C CHIP CERA	50V Y5V 0.1MF Z 2012		CCP05	HCBK103KCA	C CHIP CERA	50V X7R 0.01MF K 2012	
CC732	HCFK104ZCA	C CHIP CERA	50V Y5V 0.1MF Z 2012		CCQ01	HCBK103KCA	C CHIP CERA	50V X7R 0.01MF K 2012	
CC734	HCQK221JCA	C CHIP CERA	50V CH 220PF J 2012		CCU06	HCFK104ZCA	C CHIP CERA	50V Y5V 0.1MF Z 2012	
CC735	HCQK151JCA	C CHIP CERA	50V CH 150PF J 2012		CCU09	HCFK104ZCA	C CHIP CERA	50V Y5V 0.1MF Z 2012	
CC736	HCFK104ZCA	C CHIP CERA	50V Y5V 0.1MF Z 2012		CCU11	HCBK103KCA	C CHIP CERA	50V X7R 0.01MF K 2012	
CCA01	HCBK102KCA	C CHIP CERA	50V X7R 1000PF K 2012		CCU20	HCFK104ZCA	C CHIP CERA	50V Y5V 0.1MF Z 2012	
CCA02	HCBK102KCA	C CHIP CERA	50V X7R 1000PF K 2012		CCU27	HCBK222KCA	C CHIP CERA	50V X7R 2200PF K 2012	
CCA03	HCBK102KCA	C CHIP CERA	50V X7R 1000PF K 2012		CCY04	HCFK104ZCA	C CHIP CERA	50V Y5V 0.1MF Z 2012	
CCA04	HCBK102KCA	C CHIP CERA	50V X7R 1000PF K 2012		CCY08	HCQK509DCA	C CHIP CERA	50V CH 5PF D 2012	
CCA05	HCBK102KCA	C CHIP CERA	50V X7R 1000PF K 2012		CCY09	HCQK391JCA	C CHIP CERA	50V CH 390PF J 2012	
CCA07	HCBK102KCA	C CHIP CERA	50V X7R 1000PF K 2012		CCY11	HCQK201JCA	C CHIP CERA	50V CH 200PF J 2012	
CCA18	HCQK101JCA	C CHIP CERA	50V CH 100PF J 2012		CCY15	HCBK103KCA	C CHIP CERA	50V X7R 0.01MF K 2012	
CCA64	HCBK472KCA	C CHIP CERA	50V X7R 4700PF K 2012		CCY25	HCFK104ZCA	C CHIP CERA	50V Y5V 0.1MF Z 2012	
CCL01	HCQK220JCA	C CHIP CERA	50V CH 22PF J 2012		CCY27	HCFK104ZCA	C CHIP CERA	50V Y5V 0.1MF Z 2012	
CCL02	HCQK820JCA	C CHIP CERA	50V CH 82PF J 2012		CCY31	HCBK103KCA	C CHIP CERA	50V X7R 0.01MF K 2012	
CCL03	HCQK220JCA	C CHIP CERA	50V CH 22PF J 2012		CCY32	HCBK103KCA	C CHIP CERA	50V X7R 0.01MF K 2012	
CCL08	HCBK103KCA	C CHIP CERA	50V X7R 0.01MF K 2012		CCY35	HCFK104ZCA	C CHIP CERA	50V Y5V 0.1MF Z 2012	
CCL09	HCBK103KCA	C CHIP CERA	50V X7R 0.01MF K 2012		CCY46	HCBK103KCA	C CHIP CERA	50V X7R 0.01MF K 2012	
CCL11	HCFK104ZCA	C CHIP CERA	50V Y5V 0.1MF Z 2012		CCY47	HCBK473KCA	C CHIP CERA	50V X7R 0.047MF K 2012	
CCL20	HCBK103KCA	C CHIP CERA	50V X7R 0.01MF K 2012		CCY48	HCBK103KCA	C CHIP CERA	50V X7R 0.01MF K 2012	
CCL21	HCFK104ZCA	C CHIP CERA	50V Y5V 0.1MF Z 2012		CCY50	HCQK510JCA	C CHIP CERA	50V CH 51PF J 2012	
CCL22	HCFK104ZCA	C CHIP CERA	50V Y5V 0.1MF Z 2012		CCY51	HCQK300JCA	C CHIP CERA	50V CH 30PF J 2012	
CCL23	HCQK150JCA	C CHIP CERA	50V CH 15PF J 2012		CCY52	HCQK300JCA	C CHIP CERA	50V CH 30PF J 2012	
CCL24	HCBK103KCA	C CHIP CERA	50V X7R 0.01MF K 2012		CCY54	HCFK104ZCA	C CHIP CERA	50V Y5V 0.1MF Z 2012	
CCL26	HCQK101JCA	C CHIP CERA	50V CH 100PF J 2012		CCY55	HCQK300JCA	C CHIP CERA	50V CH 30PF J 2012	
CCL27	HCQK101JCA	C CHIP CERA	50V CH 100PF J 2012		CCY56	HCQK300JCA	C CHIP CERA	50V CH 30PF J 2012	
CCL28	HCBK333KCA	C CHIP CERA	50V X7R 0.033MF K 2012		CCY57	HCQK510JCA	C CHIP CERA	50V CH 51PF J 2012	
CCL30	HCBK103KCA	C CHIP CERA	50V X7R 0.01MF K 2012		CCY60	HCFK104ZCA	C CHIP CERA	50V Y5V 0.1MF Z 2012	
CCL31	HCBK103KCA	C CHIP CERA	50V X7R 0.01MF K 2012		DC154	DBB639C-B	DIODE CHIP	BB639C	
CCL32	HCBK103KCA	C CHIP CERA	50V X7R 0.01MF K 2012		ICN01	1DW777FE1Q	IC MICOM	DW37777MAH-FE1(408GP)	
CCL33	HCBK103KCA	C CHIP CERA	50V X7R 0.01MF K 2012		ICP01	1LC74793--	IC VPS	LC74793JM	
CCL36	HCBK473KCA	C CHIP CERA	50V X7R 0.047MF K 2012		ICY01	1LA71598MQ	IC CHIP Y/C	LA71598SM	
CCL39	HCBK473KCA	C CHIP CERA	50V X7R 0.047MF K 2012		QC150	T2SA812T2B	TR CHIP	2SA812-T2B	
CCL40	HCBK103KCA	C CHIP CERA	50V X7R 0.01MF K 2012		QC151	T2SC1623T2	TR CHIP	2SC1623-L6/T2B	
CCL41	HCFK104ZCA	C CHIP CERA	50V Y5V 0.1MF Z 2012		QC152	T2SC1623T2	TR CHIP	2SC1623-L6/T2B	
CCL50	HCQK220JCA	C CHIP CERA	50V CH 22PF J 2012		QC153	T2SC1623T2	TR CHIP	2SC1623-L6/T2B	
CCL51	HCQK820JCA	C CHIP CERA	50V CH 82PF J 2012		QC501	T2SC1623T2	TR CHIP	2SC1623-L6/T2B	
CCL52	HCQK220JCA	C CHIP CERA	50V CH 22PF J 2012		QC502	T2SC1623T2	TR CHIP	2SC1623-L6/T2B	
CCL53	HCFK104ZCA	C CHIP CERA	50V Y5V 0.1MF Z 2012		QC503	T2SA812T2B	TR CHIP	2SA812-T2B	
CCL56	HCFK104ZCA	C CHIP CERA	50V Y5V 0.1MF Z 2012		QC504	T2SC1623T2	TR CHIP	2SC1623-L6/T2B	
CCN07	HCFK104ZCA	C CHIP CERA	50V Y5V 0.1MF Z 2012		QC505	T2SC1623T2	TR CHIP	2SC1623-L6/T2B	
CCN14	HCBK103KCA	C CHIP CERA	50V X7R 0.01MF K 2012		QC506	T2SA812T2B	TR CHIP	2SA812-T2B	
CCN29	HCBK332KCA	C CHIP CERA	50V X7R 3300PF K 2012		QC507	T2SC1623T2	TR CHIP	2SC1623-L6/T2B	
CCN30	HCBK182KCA	C CHIP CERA	50V X7R 1800PF K 2012		QC508	T2SC1623T2	TR CHIP	2SC1623-L6/T2B	

SERVICE PARTS LIST

LOC	PART CODE	PART NAME	DESCRIPTION	REMARK	LOC	PART CODE	PART NAME	DESCRIPTION	REMARK
QC509	T2SC1623T2	TR CHIP	2SC1623-L6/T2B		RC167	HRFT223JCA	R CHIP	1/10 22K OHM J 2012	
QC601	T2SC1623T2	TR CHIP	2SC1623-L6/T2B		RC168	HRFT104JCA	R CHIP	1/10 100K OHM J 2012	
QC603	T2SA812T2B	TR CHIP	2SA812-T2B		RC169	HRFT104JCA	R CHIP	1/10 100K OHM J 2012	
QC604	T2SC1623T2	TR CHIP	2SC1623-L6/T2B		RC174	HRFT154JCA	R CHIP	1/10 150K OHM J 2012	
QC605	T2SC1623T2	TR CHIP	2SC1623-L6/T2B		RC175	HRFT753JCA	R CHIP	1/10 75K OHM J 2012	
QC701	T2SC1623T2	TR CHIP	2SC1623-L6/T2B		RC176	HRFT152JCA	R CHIP	1/10 1.5K OHM J 2012	
QC702	T2SC1623T2	TR CHIP	2SC1623-L6/T2B		RC178	HRFT102JCA	R CHIP	1/10 1K OHM J 2012	
QC703	T2SA812T2B	TR CHIP	2SA812-T2B		RC179	HRFT102JCA	R CHIP	1/10 1K OHM J 2012	
QC704	T2SC1623T2	TR CHIP	2SC1623-L6/T2B		RC501	HRFT472JCA	R CHIP	1/10 4.7K OHM J 2012	
QC706	T2SC1623T2	TR CHIP	2SC1623-L6/T2B		RC502	HRFT561JCA	R CHIP	1/10 560 OHM J 2012	
QC707	T2SC1623T2	TR CHIP	2SC1623-L6/T2B		RC503	HRFT101JCA	R CHIP	1/10 100 OHM J 2012	
QC708	T2SC1623T2	TR CHIP	2SC1623-L6/T2B		RC504	HRFT562JCA	R CHIP	1/10 5.6K OHM J 2012	
QC711	T2SC1623T2	TR CHIP	2SC1623-L6/T2B		RC505	HRFT270JCA	R CHIP	1/10 27 OHM J 2012	
QCA01	T2SA812T2B	TR CHIP	2SA812-T2B		RC506	HRFT681JCA	R CHIP	1/10 680 OHM J 2012	
QCA02	T2SA812T2B	TR CHIP	2SA812-T2B		RC507	HRFT182JCA	R CHIP	1/10 1.8K OHM J 2012	
QCA03	T2SA812T2B	TR CHIP	2SA812-T2B		RC508	HRFT102JCA	R CHIP	1/10 1K OHM J 2012	
QCA04	T2SC1623T2	TR CHIP	2SC1623-L6/T2B		RC509	HRFT391JCA	R CHIP	1/10 390 OHM J 2012	
QCA05	T2SC1623T2	TR CHIP	2SC1623-L6/T2B		RC512	HRFT331JCA	R CHIP	1/10 330 OHM J 2012	
QCA09	T2SA812T2B	TR CHIP	2SA812-T2B		RC514	HRFT241JCA	R CHIP	1/10 240 OHM J 2012	
QCA10	T2SC1623T2	TR CHIP	2SC1623-L6/T2B		RC515	HRFT151JCA	R CHIP	1/10 150 OHM J 2012	
QCA11	T2SC1623T2	TR CHIP	2SC1623-L6/T2B		RC516	HRFT750JCA	R CHIP	1/10 75 OHM J 2012	
QCA14	T2SC1623T2	TR CHIP	2SC1623-L6/T2B		RC517	HRFT750JCA	R CHIP	1/10 75 OHM J 2012	
QCL01	TKTC3881-B	TR CHIP	KTC3881		RC518	HRFT750JCA	R CHIP	1/10 75 OHM J 2012	
QCL02	T2SC1623T2	TR CHIP	2SC1623-L6/T2B		RC523	HRFT753JCA	R CHIP	1/10 75K OHM J 2012	
QCL20	T2SC1623T2	TR CHIP	2SC1623-L6/T2B		RC524	HRFT182JCA	R CHIP	1/10 1.8K OHM J 2012	
QCL21	T2SC1623T2	TR CHIP	2SC1623-L6/T2B		RC526	HRFT104JCA	R CHIP	1/10 100K OHM J 2012	
QCL22	T2SC1623T2	TR CHIP	2SC1623-L6/T2B		RC528	HRFT102JCA	R CHIP	1/10 1K OHM J 2012	
QCL23	T2SA812T2B	TR CHIP	2SA812-T2B		RC529	HRFT153JCA	R CHIP	1/10 15K OHM J 2012	
QCL50	TKTC3881-B	TR CHIP	KTC3881		RC530	HRFT393JCA	R CHIP	1/10 39K OHM J 2012	
QCL52	T2SC1623T2	TR CHIP	2SC1623-L6/T2B		RC532	HRFT103JCA	R CHIP	1/10 10K OHM J 2012	
QCN01	T2SC1623T2	TR CHIP	2SC1623-L6/T2B		RC534	HRFT102JCA	R CHIP	1/10 1K OHM J 2012	
QCP01	T2SA812T2B	TR CHIP	2SA812-T2B		RC536	HRFT470JCA	R CHIP	1/10 47 OHM J 2012	
QCY01	TKTC3121-B	TR CHIP	KTC3121-B		RC537	HRFT103JCA	R CHIP	1/10 10K OHM J 2012	
QCY02	T2SC1623T2	TR CHIP	2SC1623-L6/T2B		RC540	HRFT303JCA	R CHIP	1/10 30K OHM J 2012	
QCY03	T2SA812T2B	TR CHIP	2SA812-T2B		RC541	HRFT103JCA	R CHIP	1/10 10K OHM J 2012	
QCY04	T2SA812T2B	TR CHIP	2SA812-T2B		RC542	HRFT273JCA	R CHIP	1/10 27K OHM J 2012	
QCY05	T2SC1623T2	TR CHIP	2SC1623-L6/T2B		RC544	HRFT271JCA	R CHIP	1/10 270 OHM J 2012	
QCY06	T2SC1623T2	TR CHIP	2SC1623-L6/T2B		RC548	HRFT472JCA	R CHIP	1/10 4.7K OHM J 2012	
RC105	HRFT183JCA	R CHIP	1/10 18K OHM J 2012		RC549	HRFT272JCA	R CHIP	1/10 2.7K OHM J 2012	
RC150	HRFT101JCA	R CHIP	1/10 100 OHM J 2012		RC550	HRFT102JCA	R CHIP	1/10 1K OHM J 2012	
RC154	HRFT392JCA	R CHIP	1/10 3.9K OHM J 2012		RC551	HRFT112JCA	R CHIP	1/10 1.1K OHM J 2012	
RC156	HRFT822JCA	R CHIP	1/10 8.2K OHM J 2012		RC553	HRFT561JCA	R CHIP	1/10 560 OHM J 2012	
RC160	HRFT242JCA	R CHIP	1/10 2.4K OHM J 2012		RC554	HRFT102JCA	R CHIP	1/10 1K OHM J 2012	
RC161	HRFT182JCA	R CHIP	1/10 1.8K OHM J 2012		RC555	HRFT331JCA	R CHIP	1/10 330 OHM J 2012	
RC162	HRFT302JCA	R CHIP	1/10 3K OHM J 2012		RC556	HRFT102JCA	R CHIP	1/10 1K OHM J 2012	
RC164	HRFT103JCA	R CHIP	1/10 10K OHM J 2012		RC557	HRFT103JCA	R CHIP	1/10 10K OHM J 2012	
RC165	HRFT561JCA	R CHIP	1/10 560 OHM J 2012		RC558	HRFT821JCA	R CHIP	1/10 820 OHM J 2012	

SERVICE PARTS LIST

LOC	PART CODE	PART NAME	DESCRIPTION	REMARK	LOC	PART CODE	PART NAME	DESCRIPTION	REMARK
RC559	HRFT242JCA	R CHIP	1/10 2.4K OHM J 2012		RCA38	HRFT391JCA	R CHIP	1/10 390 OHM J 2012	
RC603	HRFT362JCA	R CHIP	1/10 3.6K OHM J 2012		RCA40	HRFT683JCA	R CHIP	1/10 68K OHM J 2012	
RC604	HRFT472JCA	R CHIP	1/10 4.7K OHM J 2012		RCA41	HRFT683JCA	R CHIP	1/10 68K OHM J 2012	
RC605	HRFT472JCA	R CHIP	1/10 4.7K OHM J 2012		RCA42	HRFT152JCA	R CHIP	1/10 1.5K OHM J 2012	
RC606	HRFT332JCA	R CHIP	1/10 3.3K OHM J 2012		RCA44	HRFT471JCA	R CHIP	1/10 470 OHM J 2012	
RC607	HRFT223JCA	R CHIP	1/10 22K OHM J 2012		RCA45	HRFT221JCA	R CHIP	1/10 220 OHM J 2012	
RC608	HRFT102JCA	R CHIP	1/10 1K OHM J 2012		RCA46	HRFT221JCA	R CHIP	1/10 220 OHM J 2012	
RC609	HRFT472JCA	R CHIP	1/10 4.7K OHM J 2012		RCA48	HRFT471JCA	R CHIP	1/10 470 OHM J 2012	
RC702	HRFT472JCA	R CHIP	1/10 4.7K OHM J 2012		RCA49	HRFT221JCA	R CHIP	1/10 220 OHM J 2012	
RC703	HRFT472JCA	R CHIP	1/10 4.7K OHM J 2012		RCA50	HRFT471JCA	R CHIP	1/10 470 OHM J 2012	
RC704	HRFT472JCA	R CHIP	1/10 4.7K OHM J 2012		RCA51	HRFT750JCA	R CHIP	1/10 75 OHM J 2012	
RC705	HRFT472JCA	R CHIP	1/10 4.7K OHM J 2012		RCA52	HRFT472JCA	R CHIP	1/10 4.7K OHM J 2012	
RC706	HRFT472JCA	R CHIP	1/10 4.7K OHM J 2012		RCA53	HRFT472JCA	R CHIP	1/10 4.7K OHM J 2012	
RC707	HRFT182JCA	R CHIP	1/10 1.8K OHM J 2012		RCA54	HRFT472JCA	R CHIP	1/10 4.7K OHM J 2012	
RC708	HRFT472JCA	R CHIP	1/10 4.7K OHM J 2012		RCA55	HRFT472JCA	R CHIP	1/10 4.7K OHM J 2012	
RC713	HRFT103JCA	R CHIP	1/10 10K OHM J 2012		RCL01	HRFT470JCA	R CHIP	1/10 47 OHM J 2012	
RC718	HRFT102JCA	R CHIP	1/10 1K OHM J 2012		RCL02	HRFT222JCA	R CHIP	1/10 2.2K OHM J 2012	
RC719	HRFT102JCA	R CHIP	1/10 1K OHM J 2012		RCL03	HRFT101JCA	R CHIP	1/10 100 OHM J 2012	
RC721	HRFT473JCA	R CHIP	1/10 47K OHM J 2012		RCL04	HRFT153JCA	R CHIP	1/10 15K OHM J 2012	
RC722	HRFT103JCA	R CHIP	1/10 10K OHM J 2012		RCL05	HRFT751JCA	R CHIP	1/10 750 OHM J 2012	
RC723	HRFT103JCA	R CHIP	1/10 10K OHM J 2012		RCL06	HRFT103JCA	R CHIP	1/10 10K OHM J 2012	
RC725	HRFT243JCA	R CHIP	1/10 24K OHM J 2012		RCL07	HRFT682JCA	R CHIP	1/10 6.8K OHM J 2012	
RC726	HRFT103JCA	R CHIP	1/10 10K OHM J 2012		RCL08	HRFT333JCA	R CHIP	1/10 33K OHM J 2012	
RC727	HRFT680JCA	R CHIP	1/10 68 OHM J 2012		RCL24	HRFT102JCA	R CHIP	1/10 1K OHM J 2012	
RC728	HRFT102JCA	R CHIP	1/10 1K OHM J 2012		RCL25	HRFT333JCA	R CHIP	1/10 33K OHM J 2012	
RC732	HRFT472JCA	R CHIP	1/10 4.7K OHM J 2012		RCL26	HRFT123JCA	R CHIP	1/10 12K OHM J 2012	
RC742	HRFT103JCA	R CHIP	1/10 10K OHM J 2012		RCL27	HRFT102JCA	R CHIP	1/10 1K OHM J 2012	
RC744	HRFT103JCA	R CHIP	1/10 10K OHM J 2012		RCL28	HRFT202JCA	R CHIP	1/10 2K OHM J 2012	
RC751	HRFT472JCA	R CHIP	1/10 4.7K OHM J 2012		RCL29	HRFT471JCA	R CHIP	1/10 470 OHM J 2012	
RC752	HRFT223JCA	R CHIP	1/10 22K OHM J 2012		RCL30	HRFT103JCA	R CHIP	1/10 10K OHM J 2012	
RC753	HRFT223JCA	R CHIP	1/10 22K OHM J 2012		RCL31	HRFT222JCA	R CHIP	1/10 2.2K OHM J 2012	
RCA02	HRFT393JCA	R CHIP	1/10 39K OHM J 2012		RCL32	HRFT332JCA	R CHIP	1/10 3.3K OHM J 2012	
RCA03	HRFT753JCA	R CHIP	1/10 75K OHM J 2012		RCL33	HRFT103JCA	R CHIP	1/10 10K OHM J 2012	
RCA04	HRFT824JCA	R CHIP	1/10 820K OHM J 2012		RCL50	HRFT470JCA	R CHIP	1/10 47 OHM J 2012	
RCA05	HRFT753JCA	R CHIP	1/10 75K OHM J 2012		RCL51	HRFT153JCA	R CHIP	1/10 15K OHM J 2012	
RCA15	HRFT223JCA	R CHIP	1/10 22K OHM J 2012		RCL52	HRFT222JCA	R CHIP	1/10 2.2K OHM J 2012	
RCA19	HRFT223JCA	R CHIP	1/10 22K OHM J 2012		RCL53	HRFT751JCA	R CHIP	1/10 750 OHM J 2012	
RCA20	HRFT821JCA	R CHIP	1/10 820 OHM J 2012		RCL54	HRFT101JCA	R CHIP	1/10 100 OHM J 2012	
RCA22	HRFT124JCA	R CHIP	1/10 120K OHM J 2012		RCL55	HRFT103JCA	R CHIP	1/10 10K OHM J 2012	
RCA23	HRFT124JCA	R CHIP	1/10 120K OHM J 2012		RCL56	HRFT682JCA	R CHIP	1/10 6.8K OHM J 2012	
RCA24	HRFT102JCA	R CHIP	1/10 1K OHM J 2012		RCL60	HRFT223JCA	R CHIP	1/10 22K OHM J 2012	
RCA25	HRFT124JCA	R CHIP	1/10 120K OHM J 2012		RCL61	HRFT333JCA	R CHIP	1/10 33K OHM J 2012	
RCA26	HRFT124JCA	R CHIP	1/10 120K OHM J 2012		RCL62	HRFT333JCA	R CHIP	1/10 33K OHM J 2012	
RCA27	HRFT102JCA	R CHIP	1/10 1K OHM J 2012		RCN01	HRFT472JCA	R CHIP	1/10 4.7K OHM J 2012	
RCA35	HRFT223JCA	R CHIP	1/10 22K OHM J 2012		RCN02	HRFT472JCA	R CHIP	1/10 4.7K OHM J 2012	
RCA36	HRFT333JCA	R CHIP	1/10 33K OHM J 2012		RCN11	HRFT103JCA	R CHIP	1/10 10K OHM J 2012	
RCA37	HRFT153JCA	R CHIP	1/10 15K OHM J 2012		RCN12	HRFT103JCA	R CHIP	1/10 10K OHM J 2012	

SERVICE PARTS LIST

LOC	PART CODE	PART NAME	DESCRIPTION	REMARK	LOC	PART CODE	PART NAME	DESCRIPTION	REMARK
RCN15	HRFT472JCA	R CHIP	1/10 4.7K OHM J 2012		RCU23	HRFT470JCA	R CHIP	1/10 47 OHM J 2012	
RCN16	HRFT472JCA	R CHIP	1/10 4.7K OHM J 2012		RCU24	HRFT223JCA	R CHIP	1/10 22K OHM J 2012	
RCN17	HRFT472JCA	R CHIP	1/10 4.7K OHM J 2012		RCU25	HRFT103JCA	R CHIP	1/10 10K OHM J 2012	
RCN18	HRFT472JCA	R CHIP	1/10 4.7K OHM J 2012		RCU26	HRFT103JCA	R CHIP	1/10 10K OHM J 2012	
RCN19	HRFT182JCA	R CHIP	1/10 1.8K OHM J 2012		RCU27	HRFT103JCA	R CHIP	1/10 10K OHM J 2012	
RCN21	HRFT103JCA	R CHIP	1/10 10K OHM J 2012		RCU31	HRFT684JCA	R CHIP	1/10 680K OHM J 2012	
RCN22	HRFT105JCA	R CHIP	1/10 1M OHM J 2012		RCU34	HRFT153JCA	R CHIP	1/10 15K OHM J 2012	
RCN23	HRFT511JCA	R CHIP	1/10 510 OHM J 2012		RCU37	HRFT103JCA	R CHIP	1/10 10K OHM J 2012	
RCN24	HRFT103JCA	R CHIP	1/10 10K OHM J 2012		RCY01	HRFT223JCA	R CHIP	1/10 22K OHM J 2012	
RCN25	HRFT106JCA	R CHIP	1/10 10M OHM J 2012		RCY06	HRFT122JCA	R CHIP	1/10 1.2K OHM J 2012	
RCN26	HRFT104JCA	R CHIP	1/10 100K OHM J 2012		RCY08	HRFT331JCA	R CHIP	1/10 330 OHM J 2012	
RCN34	HRFT221JCA	R CHIP	1/10 220 OHM J 2012		RCY09	HRFT272JCA	R CHIP	1/10 2.7K OHM J 2012	
RCN35	HRFT273JCA	R CHIP	1/10 27K OHM J 2012		RCY10	HRFT201JCA	R CHIP	1/10 200 OHM J 2012	
RCN36	HRFT221JCA	R CHIP	1/10 220 OHM J 2012		RCY11	HRFT561JCA	R CHIP	1/10 560 OHM J 2012	
RCN37	HRFT273JCA	R CHIP	1/10 27K OHM J 2012		RCY12	HRFT561JCA	R CHIP	1/10 560 OHM J 2012	
RCN41	HRFT332JCA	R CHIP	1/10 3.3K OHM J 2012		RCY13	HRFT152JCA	R CHIP	1/10 1.5K OHM J 2012	
RCN44	HRFT103JCA	R CHIP	1/10 10K OHM J 2012		RCY14	HRFT472JCA	R CHIP	1/10 4.7K OHM J 2012	
RCN45	HRFT103JCA	R CHIP	1/10 10K OHM J 2012		RCY18	HRFT563JCA	R CHIP	1/10 56K OHM J 2012	
RCN46	HRFT472JCA	R CHIP	1/10 4.7K OHM J 2012		RCY26	HRFT182JCA	R CHIP	1/10 1.8K OHM J 2012	
RCN47	HRFT101JCA	R CHIP	1/10 100 OHM J 2012		RCY27	HRFT822JCA	R CHIP	1/10 8.2K OHM J 2012	
RCN48	HRFT101JCA	R CHIP	1/10 100 OHM J 2012		RCY50	HRFT511JCA	R CHIP	1/10 510 OHM J 2012	
RCN49	HRFT472JCA	R CHIP	1/10 4.7K OHM J 2012		RCY51	HRFT511JCA	R CHIP	1/10 510 OHM J 2012	
RCN52	HRFT474JCA	R CHIP	1/10 470K OHM J 2012		RCY52	HRFT103JCA	R CHIP	1/10 10K OHM J 2012	
RCN53	HRFT103JCA	R CHIP	1/10 10K OHM J 2012		RCY53	HRFT363JCA	R CHIP	1/10 36K OHM J 2012	
RCP01	HRFT391JCA	R CHIP	1/10 390 OHM J 2012		RCY54	HRFT473JCA	R CHIP	1/10 47K OHM J 2012	
RCP04	HRFT103JCA	R CHIP	1/10 10K OHM J 2012		RCY55	HRFT393JCA	R CHIP	1/10 39K OHM J 2012	
RCP05	HRFT182JCA	R CHIP	1/10 1.8K OHM J 2012		RCY56	HRFT302JCA	R CHIP	1/10 3K OHM J 2012	
RCP06	HRFT562JCA	R CHIP	1/10 5.6K OHM J 2012		RCY57	HRFT473JCA	R CHIP	1/10 47K OHM J 2012	
RCP07	HRFT103JCA	R CHIP	1/10 10K OHM J 2012		RCY58	HRFT473JCA	R CHIP	1/10 47K OHM J 2012	
RCQ02	HRFT222JCA	R CHIP	1/10 2.2K OHM J 2012		RCY59	HRFT472JCA	R CHIP	1/10 4.7K OHM J 2012	
RCQ03	HRFT222JCA	R CHIP	1/10 2.2K OHM J 2012		ZZ200	PTMPJRA668	PCB MAIN RADIAL AS	DVT-14H3LA	
RCU01	HRFT124JCA	R CHIP	1/10 120K OHM J 2012		C102	CEXF1H100V	C ELECTRO	50V RSS 10MF (5X11) TP	
RCU02	HRFT124JCA	R CHIP	1/10 120K OHM J 2012		C105	CEXF1H101V	C ELECTRO	50V RSS 100MF (8X11.5) TP	
RCU03	HRFT152JCA	R CHIP	1/10 1.5K OHM J 2012		C107	CEXF1C331V	C ELECTRO	16V RSS 330MF (8X11.5) TP	
RCU04	HRFT103JCA	R CHIP	1/10 10K OHM J 2012		C151	CEXF1E221V	C ELECTRO	25V RSS 220MF (8X11.5) TP	
RCU06	HRFT152JCA	R CHIP	1/10 1.5K OHM J 2012		C156	CEXF1H100V	C ELECTRO	50V RSS 10MF (5X11) TP	
RCU07	HRFT101JCA	R CHIP	1/10 100 OHM J 2012		C157	CEXF1H101V	C ELECTRO	50V RSS 100MF (8X11.5) TP	
RCU08	HRFT103JCA	R CHIP	1/10 10K OHM J 2012		C164	CEXF1H220V	C ELECTRO	50V RSS 22MF (5X11) TP	
RCU09	HRFT562JCA	R CHIP	1/10 5.6K OHM J 2012		C166	CEXF1E470V	C ELECTRO	25V RSS 47MF (5X11) TP	
RCU12	HRFT123JCA	R CHIP	1/10 12K OHM J 2012		C173	CEXF1H229V	C ELECTRO	50V RSS 2.2MF (5X11) TP	
RCU13	HRFT223JCA	R CHIP	1/10 22K OHM J 2012		C174	CEXF1E101V	C ELECTRO	25V RSS 100MF (6.3X11) TP	
RCU14	HRFT822JCA	R CHIP	1/10 8.2K OHM J 2012		C176	CEXF1H100V	C ELECTRO	50V RSS 10MF (5X11) TP	
RCU15	HRFT103JCA	R CHIP	1/10 10K OHM J 2012		C177	CEXF1E470V	C ELECTRO	25V RSS 47MF (5X11) TP	
RCU16	HRFT334JCA	R CHIP	1/10 330K OHM J 2012		C500	CEXF1H100V	C ELECTRO	50V RSS 10MF (5X11) TP	
RCU17	HRFT151JCA	R CHIP	1/10 150 OHM J 2012		C503	CEXD1H229F	C ELECTRO	50V RND 2.2MF (5X11) TP	
RCU18	HRFT273JCA	R CHIP	1/10 27K OHM J 2012		C507	CMXM2A473J	C MYLAR	100V 0.047MF J (TP)	
RCU22	HRFT152JCA	R CHIP	1/10 1.5K OHM J 2012		C509	CEXF1H229V	C ELECTRO	50V RSS 2.2MF (5X11) TP	

SERVICE PARTS LIST

LOC	PART CODE	PART NAME	DESCRIPTION	REMARK	LOC	PART CODE	PART NAME	DESCRIPTION	REMARK
C510	CEXF1H478V	C ELECTRO	50V RSS 0.47MF (5X11) TP		CA20	CEXF1H100A	C ELECTRO	50V RSM 10MF (5X7) TP	
C511	CEXF1E101V	C ELECTRO	25V RSS 100MF (6.3X11) TP		CA21	CEXF1C101A	C ELECTRO	16V RSM 100MF (6.3X7) TP	
C513	CEXF1E101V	C ELECTRO	25V RSS 100MF (6.3X11) TP		CA22	CEXF1C101A	C ELECTRO	16V RSM 100MF (6.3X7) TP	
C515	CEXF1H478V	C ELECTRO	50V RSS 0.47MF (5X11) TP		CA23	CEXF1C470A	C ELECTRO	16V RSM 47MF (5X7) TP	
C516	CEXF1H229V	C ELECTRO	50V RSS 2.2MF (5X11) TP		CA24	CEXF1C101A	C ELECTRO	16V RSM 100MF (6.3X7) TP	
C518	CMXM2A104J	C MYLAR	100V 0.1MF J (TP)		CA25	CEXF1H100A	C ELECTRO	50V RSM 10MF (5X7) TP	
C519	CEXF1H478V	C ELECTRO	50V RSS 0.47MF (5X11) TP		CA26	CEXF1H100A	C ELECTRO	50V RSM 10MF (5X7) TP	
C523	CEXF1H220V	C ELECTRO	50V RSS 22MF (5X11) TP		CA60	CEXF1E101V	C ELECTRO	25V RSS 100MF (6.3X11) TP	
C531	CEXF1E101V	C ELECTRO	25V RSS 100MF (6.3X11) TP		CA62	CEXF1H100V	C ELECTRO	50V RSS 10MF (5X11) TP	
C532	CEXF1H109V	C ELECTRO	50V RSS 1MF (5X11) TP		CA63	CEXF1H100V	C ELECTRO	50V RSS 10MF (5X11) TP	
C534	CEXF1H478V	C ELECTRO	50V RSS 0.47MF (5X11) TP		CA65	CEXF1E470V	C ELECTRO	25V RSS 47MF (5X11) TP	
C537	CEXF1H109V	C ELECTRO	50V RSS 1MF (5X11) TP		CA66	CEXF1E470V	C ELECTRO	25V RSS 47MF (5X11) TP	
C541	CMXM2A104J	C MYLAR	100V 0.1MF J (TP)		CA67	CEXF1C331V	C ELECTRO	16V RSS 330MF (8X11.5) TP	
C542	CEXD1H109F	C ELECTRO	50V RND 1MF (5X11) TP		CL05	CEXF1H479V	C ELECTRO	50V RSS 4.7MF (5X11) TP	
C544	CEXF1H229V	C ELECTRO	50V RSS 2.2MF (5X11) TP		CL06	CEXD1H229F	C ELECTRO	50V RND 2.2MF (5X11) TP	
C545	CEXF1H100V	C ELECTRO	50V RSS 10MF (5X11) TP		CL10	CEXF1E101V	C ELECTRO	25V RSS 100MF (6.3X11) TP	
C547	CEXF1C221V	C ELECTRO	16V RSS 220MF (8X11.5) TP		CL12	CEXF1H479V	C ELECTRO	50V RSS 4.7MF (5X11) TP	
C549	CEXF1C331V	C ELECTRO	16V RSS 330MF (8X11.5) TP		CL25	CEXF1C101A	C ELECTRO	16V RSM 100MF (6.3X7) TP	
C551	CEXF1C331V	C ELECTRO	16V RSS 330MF (8X11.5) TP		CL29	CEXF1H229A	C ELECTRO	50V RSM 2.2MF (4X7) TP	
C552	CEXD1H229F	C ELECTRO	50V RND 2.2MF (5X11) TP		CL34	CEXF1C101A	C ELECTRO	16V RSM 100MF (6.3X7) TP	
C556	CEXF1H479V	C ELECTRO	50V RSS 4.7MF (5X11) TP		CL35	CEXF1H109A	C ELECTRO	50V RSM 1MF (4X7) TP	
C609	CEXF1C220A	C ELECTRO	16V RSM 22MF (5X7)		CL38	CEXF1H109A	C ELECTRO	50V RSM 1MF (4X7) TP	
C611	CEXF1C470A	C ELECTRO	16V RSM 47MF (5X7) TP		CL54	CEXF1H479V	C ELECTRO	50V RSS 4.7MF (5X11) TP	
C613	CMXM2A104J	C MYLAR	100V 0.1MF J (TP)		CL55	CEXF1E101V	C ELECTRO	25V RSS 100MF (6.3X11) TP	
C614	CEXF1H100V	C ELECTRO	50V RSS 10MF (5X11) TP		CL57	CEXF1H479V	C ELECTRO	50V RSS 4.7MF (5X11) TP	
C615	CEXF1C220A	C ELECTRO	16V RSM 22MF (5X7)		CN08	CEXF1C101A	C ELECTRO	16V RSM 100MF (6.3X7) TP	
C616	CEXF1C331V	C ELECTRO	16V RSS 330MF (8X11.5) TP		CN11	CDXF0H104K	C SUPER	5.5V 0.1F F (TAPPING)	
C617	CEXF1H100V	C ELECTRO	50V RSS 10MF (5X11) TP		CN15	CEXF1H109A	C ELECTRO	50V RSM 1MF (4X7) TP	
C618	CMXM2A104J	C MYLAR	100V 0.1MF J (TP)		CN18	CEXF1C101A	C ELECTRO	16V RSM 100MF (6.3X7) TP	
C620	CEXF1C331V	C ELECTRO	16V RSS 330MF (8X11.5) TP		CN26	CEXF1C101A	C ELECTRO	16V RSM 100MF (6.3X7) TP	
C702	CEXF1E101V	C ELECTRO	25V RSS 100MF (6.3X11) TP		CN27	CEXF1C101A	C ELECTRO	16V RSM 100MF (6.3X7) TP	
C704	CEXF1C101A	C ELECTRO	16V RSM 100MF (6.3X7) TP		CN28	CEXF1A471V	C ELECTRO	10V RSS 470MF (8X11.5) TP	
C706	CEXF1C101A	C ELECTRO	16V RSM 100MF (6.3X7) TP		CN29	CEXF1C470A	C ELECTRO	16V RSM 47MF (5X7) TP	
C709	CEXF1C101A	C ELECTRO	16V RSM 100MF (6.3X7) TP		CN31	CEXF1C470A	C ELECTRO	16V RSM 47MF (5X7) TP	
C718	CEXF1H100A	C ELECTRO	50V RSM 10MF (5X7) TP		CN33	CEXF1C101A	C ELECTRO	16V RSM 100MF (6.3X7) TP	
C723	CEXF1C101A	C ELECTRO	16V RSM 100MF (6.3X7) TP		CP04	CEXF1H479A	C ELECTRO	50V RSM 4.7MF 4X7	
C729	CEXF1C470A	C ELECTRO	16V RSM 47MF (5X7) TP		CP07	CEXF1H109A	C ELECTRO	50V RSM 1MF (4X7) TP	
C731	CEXF1C101A	C ELECTRO	16V RSM 100MF (6.3X7) TP		CP09	CEXF1C101A	C ELECTRO	16V RSM 100MF (6.3X7) TP	
CA08	CEXF1C470A	C ELECTRO	16V RSM 47MF (5X7) TP		CP10	CEXF1H109V	C ELECTRO	50V RSS 1MF (5X11) TP	
CA09	CEXF1H100A	C ELECTRO	50V RSM 10MF (5X7) TP		CQ03	CEXF1C470A	C ELECTRO	16V RSM 47MF (5X7) TP	
CA10	CEXF1C470A	C ELECTRO	16V RSM 47MF (5X7) TP		CU01	CEXF1H100A	C ELECTRO	50V RSM 10MF (5X7) TP	
CA11	CEXF1C470A	C ELECTRO	16V RSM 47MF (5X7) TP		CU02	CMXM2A153J	C MYLAR	100V 0.015MF J (TP)	
CA12	CEXF1C470A	C ELECTRO	16V RSM 47MF (5X7) TP		CU03	CMXM2A333J	C MYLAR	100V 0.033MF J (TP)	
CA13	CEXF1C470A	C ELECTRO	16V RSM 47MF (5X7) TP		CU04	CMXM2A104J	C MYLAR	100V 0.1MF J (TP)	
CA14	CEXF1H100A	C ELECTRO	50V RSM 10MF (5X7) TP		CU05	CEXF1H479A	C ELECTRO	50V RSM 4.7MF 4X7	
CA15	CEXF1H100A	C ELECTRO	50V RSM 10MF (5X7) TP		CU08	CMXM2A122J	C MYLAR	100V 1200PF J (TP)	
CA16	CEXF1H100A	C ELECTRO	50V RSM 10MF (5X7) TP		CU10	CEXF1C470A	C ELECTRO	16V RSM 47MF (5X7) TP	

SERVICE PARTS LIST

LOC	PART CODE	PART NAME	DESCRIPTION	REMARK	LOC	PART CODE	PART NAME	DESCRIPTION	REMARK
CU12	CEXF1C220A	C ELECTRO	16V RSM 22MF (5X7)		QQ02	TKSR1001--	TR	KSR1001	
CU13	CEXF1H479A	C ELECTRO	50V RSM 4.7MF 4X7		QU01	TKTC3198Y	TR	KTC3198Y	
CU14	CMXM2A222J	C MYLAR	100V 2200PF J (TP)		QU02	TKSR1001--	TR	KSR1001	
CU15	CMXM2A102J	C MYLAR	100V 1000PF J (TP)		QU03	TKTA1266Y	TR	KTA1266Y (TP)	
CU16	CMXM2A103J	C MYLAR	100V 0.01MF J (TP)		QU04	TKTC3202Y	TR	KTC3202Y (TP)	
CU17	CMXM2A333J	C MYLAR	100V 0.033MF J (TP)		QU05	TKTA1266Y	TR	KTA1266Y (TP)	
CU18	CEXF1C470A	C ELECTRO	16V RSM 47MF (5X7) TP		QU06	TKTC3198Y	TR	KTC3198Y	
CU19	CMXM2A223J	C MYLAR	100V 0.022MF J TP		QU07	TKTC3198Y	TR	KTC3198Y	
CU21	CEXF1C101A	C ELECTRO	16V RSM 100MF (6.3X7) TP		QY50	TKTC3198Y	TR	KTC3198Y	
CU23	CEXF1H229A	C ELECTRO	50V RSM 2.2MF (4X7) TP		R106	RN02B560JS	R METAL FILM	2W 56 OHM J SMALL	
CU24	CEXF1C470A	C ELECTRO	16V RSM 47MF (5X7) TP		R107	RN02B560JS	R METAL FILM	2W 56 OHM J SMALL	
CY01	CEXF1H109A	C ELECTRO	50V RSM 1MF (4X7) TP		R157	RV4121103P	R SEMI FIXED	NVZ6THT 10K OHM	
CY02	CMXM2A473J	C MYLAR	100V 0.047MF J (TP)		R171	RV5426103P	R SEMI FIXED	ENV-DJAA03B14 10K OHM B	
CY03	CEXF1H109A	C ELECTRO	50V RSM 1MF (4X7) TP		R180	RN02B560JS	R METAL FILM	2W 56 OHM J SMALL	
CY05	CEXF1C101A	C ELECTRO	16V RSM 100MF (6.3X7) TP		R181	RN02B560JS	R METAL FILM	2W 56 OHM J SMALL	
CY10	CEXF1H479A	C ELECTRO	50V RSM 4.7MF 4X7		R547	RN02B829JS	R METAL FILM	2W 8.2 OHM J SMALL	
CY16	CEXF1A471V	C ELECTRO	10V RSS 470MF (8X11.5) TP		SW02	5S50101Z90	SW TACT	THVV502GDA	
CY17	CEXF1H100A	C ELECTRO	50V RSM 10MF (5X7) TP		SW03	5S50101Z90	SW TACT	THVV502GDA	
CY18	CEXF1C220A	C ELECTRO	16V RSM 22MF (5X7)		SW04	5S50101Z90	SW TACT	THVV502GDA	
CY21	CEXF1H109A	C ELECTRO	50V RSM 1MF (4X7) TP		SW06	5S50101Z90	SW TACT	THVV502GDA	
CY24	CEXF1C470A	C ELECTRO	16V RSM 47MF (5X7) TP		SW07	5S50101Z90	SW TACT	THVV502GDA	
CY26	CEXF1C101A	C ELECTRO	16V RSM 100MF (6.3X7) TP		SW08	5S50101Z90	SW TACT	THVV502GDA	
CY28	CEXF1C100A	C ELECTRO	16V RSM 10MF 5X7		SW10	5S50101Z90	SW TACT	THVV502GDA	
CY29	CEXF1H109A	C ELECTRO	50V RSM 1MF (4X7) TP		SW11	5S50101Z90	SW TACT	THVV502GDA	
CY30	CEXF1H109A	C ELECTRO	50V RSM 1MF (4X7) TP		SW12	5S50101Z90	SW TACT	THVV502GDA	
CY36	CEXF1C101A	C ELECTRO	16V RSM 100MF (6.3X7) TP		SW13	5S50101Z90	SW TACT	THVV502GDA	
CY38	CEXF1C101A	C ELECTRO	16V RSM 100MF (6.3X7) TP		X501	5XEX3R579C	CRYSTAL QUARTZ	HC-49U 3.579545M (TP)	
CY40	CEXF1H109A	C ELECTRO	50V RSM 1MF (4X7) TP		X502	5XEX4R436C	CRYSTAL QUARTZ	HC-49U 4.433619M 20PP TA	
CY42	CEXF1H109A	C ELECTRO	50V RSM 1MF (4X7) TP		Z151	5PXLT5R5MH	FILTER CERA	LT 5.5MH	
CY43	CMXM2A223J	C MYLAR	100V 0.022MF J TP		Z501	5PXLT5R5MH	FILTER CERA	LT 5.5MH	
CY44	CEXF1H109A	C ELECTRO	50V RSM 1MF (4X7) TP		ZZ200	PTMPJAA668	PCB MAIN AXIAL AS	DVT-14H3LA	
CY45	CMXM2A223J	C MYLAR	100V 0.022MF J TP		10	2TM14006LB	TAPE MASKING	3M #232 6.0X2000M	
CY53	CEXF1C101A	C ELECTRO	16V RSM 100MF (6.3X7) TP		20	2TM10006LB	TAPE MASKING	3M #232-MAP-C 6.2X2000M	
CY58	CEXF1H100A	C ELECTRO	50V RSM 10MF (5X7) TP		A001	4859803893	PCB MAIN	330X246	
CY59	CEXF1H109A	C ELECTRO	50V RSM 1MF (4X7) TP		C101	CBZF1H104Z	C CERA SEMI	50V F 0.1MF Z	
I101	1UPC574J--	IC	UPC574J	Ⓡ	C168	CZCH1H220J	C CERA	50V CH 22PF J (AXIAL)	
I150	1UPC574J--	IC	UPC574J	Ⓡ	C171	CCZB1H102K	C CERA	50V B 1000PF K (AXIAL)	
IN03	1K1A7033AP	IC RESET	KIA7033AP		C505	CZCH1H220J	C CERA	50V CH 22PF J (AXIAL)	
IN04	1K1A7042AP	IC REGULATOR	KIA7042AP		C508	CCZF1H223Z	C CERA	50V F 0.022MF Z	
LU01	5CPX103J--	COIL PEAKING	10MH 5MM J RADIAL		C520	CBZF1H104Z	C CERA SEMI	50V F 0.1MF Z	
Q705	TKTC3198Y	TR	KTC3198Y		C521	CBZF1H104Z	C CERA SEMI	50V F 0.1MF Z	
Q710	TKTA1266Y	TR	KTA1266Y (TP)		C522	CBZF1H104Z	C CERA SEMI	50V F 0.1MF Z	
Q712	TH2N7000--	FET	H2N7000		C707	CBZF1H104Z	C CERA SEMI	50V F 0.1MF Z	
Q713	TH2N7000--	FET	H2N7000		CA17	CBZF1H104Z	C CERA SEMI	50V F 0.1MF Z	
QA12	TKTC3198Y	TR	KTC3198Y		CA68	CBZF1H104Z	C CERA SEMI	50V F 0.1MF Z	
QA13	TKTC3198Y	TR	KTC3198Y		CA69	CBZF1H104Z	C CERA SEMI	50V F 0.1MF Z	
QQ01	TKSR1001--	TR	KSR1001		CL37	CCZF1H103Z	C CERA	50V F 0.01MF Z	

SERVICE PARTS LIST

LOC	PART CODE	PART NAME	DESCRIPTION	REMARK	LOC	PART CODE	PART NAME	DESCRIPTION	REMARK
CN01	CCZF1H103Z	C CERA	50V F 0.01MF Z		D504	D1N4148---	DIODE	1N4148 (TAPPING)	
CN02	CCZF1H103Z	C CERA	50V F 0.01MF Z		D505	D1N4148---	DIODE	1N4148 (TAPPING)	
CN03	CCZF1H103Z	C CERA	50V F 0.01MF Z		D506	D1N4148---	DIODE	1N4148 (TAPPING)	
CN04	CCZF1H103Z	C CERA	50V F 0.01MF Z		D601	D1N4148---	DIODE	1N4148 (TAPPING)	
CN09	CZCH1H220J	C CERA	50V CH 22PF J (AXIAL)		D602	D1N4148---	DIODE	1N4148 (TAPPING)	
CN10	CZCH1H220J	C CERA	50V CH 22PF J (AXIAL)		D701	D1N4148---	DIODE	1N4148 (TAPPING)	
CN12	CZCH1H180J	C CERA	50V CH 18PF J (AXIAL)		D703	D1N4148---	DIODE	1N4148 (TAPPING)	
CN13	CZCH1H180J	C CERA	50V CH 18PF J (AXIAL)		D704	DUZ6R2BM--	DIODE ZENER	UZ-6.2BM	
CN16	CCZF1H103Z	C CERA	50V F 0.01MF Z		D705	D1N4148---	DIODE	1N4148 (TAPPING)	
CN17	CBZF1H104Z	C CERA SEMI	50V F 0.1MF Z		D706	D1N4148---	DIODE	1N4148 (TAPPING)	
CN19	CCZF1H103Z	C CERA	50V F 0.01MF Z		D707	D1N4148---	DIODE	1N4148 (TAPPING)	
CN20	CCZB1H101K	C CERA	50V B 100PF K (AXIAL)		D708	D1N4148---	DIODE	1N4148 (TAPPING)	
CN21	CCZB1H101K	C CERA	50V B 100PF K (AXIAL)		D709	D1N4004S--	DIODE	1N4004S	
CN22	CCZB1H101K	C CERA	50V B 100PF K (AXIAL)		D710	D1N4148---	DIODE	1N4148 (TAPPING)	
CN23	CCZB1H102K	C CERA	50V B 1000PF K (AXIAL)		D711	DUZ2R4B---	DIODE ZENER	UZ-2.4B	
CN24	CCZB1H102K	C CERA	50V B 1000PF K (AXIAL)		DA01	DUZ6R2BM--	DIODE ZENER	UZ-6.2BM	
CN25	CCZB1H102K	C CERA	50V B 1000PF K (AXIAL)		DA02	D1N4148---	DIODE	1N4148 (TAPPING)	
CN34	CCZF1H223Z	C CERA	50V F 0.022MF Z		DA03	DUZ6R2BM--	DIODE ZENER	UZ-6.2BM	
CN35	CCZF1H223Z	C CERA	50V F 0.022MF Z		DA04	DUZ6R2BM--	DIODE ZENER	UZ-6.2BM	
CN37	CBZF1H104Z	C CERA SEMI	50V F 0.1MF Z		DA05	DUZ6R2BM--	DIODE ZENER	UZ-6.2BM	
CP02	CZCH1H220J	C CERA	50V CH 22PF J (AXIAL)		DA06	DUZ6R2BM--	DIODE ZENER	UZ-6.2BM	
CU22	CBZF1H104Z	C CERA SEMI	50V F 0.1MF Z		DA07	DUZ6R2BM--	DIODE ZENER	UZ-6.2BM	
CU25	CBZF1H104Z	C CERA SEMI	50V F 0.1MF Z		DA12	DUZ6R2BM--	DIODE ZENER	UZ-6.2BM	
CU26	CBZF1H104Z	C CERA SEMI	50V F 0.1MF Z		DA13	D1N4148---	DIODE	1N4148 (TAPPING)	
CY06	CZSL1H270J	C CERA	50V SL 27PF J (AXIAL)		DA14	DUZ12BM---	DIODE ZENER	UZ-12BM (UNIZON)	
CY07	CCZF1H103Z	C CERA	50V F 0.01MF Z		DA15	D1N4148---	DIODE	1N4148 (TAPPING)	
CY19	CBZF1H104Z	C CERA SEMI	50V F 0.1MF Z		DL01	D1SS85TA--	DIODE	1SS85TA	
CY20	CCZF1H103Z	C CERA	50V F 0.01MF Z		DL50	D1SS85TA--	DIODE	1SS85TA	
CY22	CBZF1H104Z	C CERA SEMI	50V F 0.1MF Z		DN01	D1N4004S--	DIODE	1N4004S	
CY23	CBZF1H104Z	C CERA SEMI	50V F 0.1MF Z		DN02	D1N4004S--	DIODE	1N4004S	
CY33	CCZF1H103Z	C CERA	50V F 0.01MF Z		DN04	D1N4148---	DIODE	1N4148 (TAPPING)	
CY34	CCZF1H103Z	C CERA	50V F 0.01MF Z		DN05	DUZ6R2BM--	DIODE ZENER	UZ-6.2BM	
CY37	CBZF1H104Z	C CERA SEMI	50V F 0.1MF Z		DN06	D1N4004S--	DIODE	1N4004S	
CY39	CCZF1H103Z	C CERA	50V F 0.01MF Z		DN07	D1N4004S--	DIODE	1N4004S	
CY41	CCZF1H103Z	C CERA	50V F 0.01MF Z		DQ07	D1N4148---	DIODE	1N4148 (TAPPING)	
CY49	CCZF1H103Z	C CERA	50V F 0.01MF Z		DU01	D1N4148---	DIODE	1N4148 (TAPPING)	
CY65	CBZF1H104Z	C CERA SEMI	50V F 0.1MF Z		DY01	D1N4148---	DIODE	1N4148 (TAPPING)	
CY66	CBZF1H104Z	C CERA SEMI	50V F 0.1MF Z		DY02	D1N4148---	DIODE	1N4148 (TAPPING)	
D101	DUZ5R1B---	DIODE ZENER	UZ-5.1B		DY03	D1N4004S--	DIODE	1N4004S	
D102	D1N4148---	DIODE	1N4148 (TAPPING)		J001	85801065GY	WIRE COPPER	AWG22 1/0.65 TIN COATING	
D150	DUZ5R1B---	DIODE ZENER	UZ-5.1B		J002	85801065GY	WIRE COPPER	AWG22 1/0.65 TIN COATING	
D151	D1N4148---	DIODE	1N4148 (TAPPING)		J003	85801065GY	WIRE COPPER	AWG22 1/0.65 TIN COATING	
D152	DUZ5R1B---	DIODE ZENER	UZ-5.1B		J004	85801065GY	WIRE COPPER	AWG22 1/0.65 TIN COATING	
D153	DUZ5R1B---	DIODE ZENER	UZ-5.1B		J005	85801065GY	WIRE COPPER	AWG22 1/0.65 TIN COATING	
D501	DUZ6R2BM--	DIODE ZENER	UZ-6.2BM		J006	85801065GY	WIRE COPPER	AWG22 1/0.65 TIN COATING	
D502	D1N4148---	DIODE	1N4148 (TAPPING)		J007	85801065GY	WIRE COPPER	AWG22 1/0.65 TIN COATING	
D503	D1N4148---	DIODE	1N4148 (TAPPING)		J008	85801065GY	WIRE COPPER	AWG22 1/0.65 TIN COATING	

SERVICE PARTS LIST

LOC	PART CODE	PART NAME	DESCRIPTION	REMARK	LOC	PART CODE	PART NAME	DESCRIPTION	REMARK
LU02	5CPZ101K04	COIL PEAKING	100UH K (AXIAL 10.5MM)		R711	RD-AZ105J-	R CARBON FILM	1/6 1M OHM J	
LU03	5CPZ101K04	COIL PEAKING	100UH K (AXIAL 10.5MM)		R714	RD-AZ472J-	R CARBON FILM	1/6 4.7K OHM J	
LU04	5CPZ569K02	COIL PEAKING	5.6UH K (AXIAL 3.5MM)		R715	RD-AZ103J-	R CARBON FILM	1/6 10K OHM J	
LY01	5CPZ560K02	COIL PEAKING	56UH K (AXIAL 3.5MM)		R716	RD-AZ102J-	R CARBON FILM	1/6 1K OHM J	
LY02	5CPZ220K02	COIL PEAKING	22UH K (AXIAL 3.5MM)		R717	RD-AZ223J-	R CARBON FILM	1/6 22K OHM J	
LY03	5CPZ101K04	COIL PEAKING	100UH K (AXIAL 10.5MM)		R720	RD-AZ680J-	R CARBON FILM	1/6 68 OHM J	
LY04	5CPZ101K04	COIL PEAKING	100UH K (AXIAL 10.5MM)		R729	RD-AZ472J-	R CARBON FILM	1/6 4.7K OHM J	
LY05	5CPZ101K04	COIL PEAKING	100UH K (AXIAL 10.5MM)		R730	RD-AZ473J-	R CARBON FILM	1/6 47K OHM J	
LY06	5CPZ101K04	COIL PEAKING	100UH K (AXIAL 10.5MM)		R731	RD-AZ103J-	R CARBON FILM	1/6 10K OHM J	
R101	RD-AZ101J-	R CARBON FILM	1/6 100 OHM J		R733	RD-AZ472J-	R CARBON FILM	1/6 4.7K OHM J	
R102	RD-AZ101J-	R CARBON FILM	1/6 100 OHM J		R734	RD-AZ472J-	R CARBON FILM	1/6 4.7K OHM J	
R104	RD-AZ392J-	R CARBON FILM	1/6 3.9K OHM J		R735	RD-AZ151J-	R CARBON FILM	1/6 150 OHM J	
R151	RD-AZ101J-	R CARBON FILM	1/6 100 OHM J		R737	RD-AZ151J-	R CARBON FILM	1/6 150 OHM J	
R153	RD-AZ183J-	R CARBON FILM	1/6 18K OHM J		R739	RD-AZ151J-	R CARBON FILM	1/6 150 OHM J	
R155	RD-AZ681J-	R CARBON FILM	1/6 680 OHM J		R741	RD-AZ102J-	R CARBON FILM	1/6 1K OHM J	
R158	RD-AZ750J-	R CARBON FILM	1/6 75 OHM J		R743	RD-AZ103J-	R CARBON FILM	1/6 10K OHM J	
R159	RD-AZ820J-	R CARBON FILM	1/6 82 OHM J		R747	RD-AZ101J-	R CARBON FILM	1/6 100 OHM J	
R163	RD-AZ331J-	R CARBON FILM	1/6 330 OHM J		R748	RD-AZ103J-	R CARBON FILM	1/6 10K OHM J	
R166	RD-AZ271J-	R CARBON FILM	1/6 270 OHM J		R749	RD-AZ103J-	R CARBON FILM	1/6 10K OHM J	
R170	RD-AZ752J-	R CARBON FILM	1/6 7.5K OHM J		R752	RD-AZ272J-	R CARBON FILM	1/6 2.7K OHM J	
R172	RD-AZ223J-	R CARBON FILM	1/6 22K OHM J		R753	RD-AZ472J-	R CARBON FILM	1/6 4.7K OHM J	
R173	RD-AZ223J-	R CARBON FILM	1/6 22K OHM J		RA01	RD-AZ750J-	R CARBON FILM	1/6 75 OHM J	
R510	RD-AZ221J-	R CARBON FILM	1/6 220 OHM J		PA09	RD-AZ822J-	R CARBON FILM	1/6 8.2K OHM J	
R511	RD-AZ221J-	R CARBON FILM	1/6 220 OHM J		RA10	RD-AZ223J-	R CARBON FILM	1/6 22K OHM J	
R513	RD-AZ101J-	R CARBON FILM	1/6 100 OHM J		RA11	RD-AZ223J-	R CARBON FILM	1/6 22K OHM J	
R519	RD-AZ103J-	R CARBON FILM	1/6 10K OHM J		RA12	RD-AZ821J-	R CARBON FILM	1/6 820 OHM J	
R520	RD-AZ201J-	R CARBON FILM	1/6 200 OHM J		RA13	RD-AZ750J-	R CARBON FILM	1/6 75 OHM J	
R521	RD-AZ201J-	R CARBON FILM	1/6 200 OHM J		RA14	RD-AZ223J-	R CARBON FILM	1/6 22K OHM J	
R522	RD-AZ201J-	R CARBON FILM	1/6 200 OHM J		RA16	RD-AZ821J-	R CARBON FILM	1/6 820 OHM J	
R525	RD-AZ682J-	R CARBON FILM	1/6 6.8K OHM J		RA17	RD-AZ750J-	R CARBON FILM	1/6 75 OHM J	
R527	RD-4Z109J-	R CARBON FILM	1/4 1 OHM J		RA18	RD-AZ223J-	R CARBON FILM	1/6 22K OHM J	
R531	RD-AZ681J-	R CARBON FILM	1/6 680 OHM J		RA34	RD-AZ223J-	R CARBON FILM	1/6 22K OHM J	
R533	RD-AZ472J-	R CARBON FILM	1/6 4.7K OHM J		RA39	RD-AZ750J-	R CARBON FILM	1/6 75 OHM J	
R535	RD-AZ102J-	R CARBON FILM	1/6 1K OHM J		RA43	RD-AZ223J-	R CARBON FILM	1/6 22K OHM J	
R539	RD-AZ102J-	R CARBON FILM	1/6 1K OHM J		RA47	RD-AZ223J-	R CARBON FILM	1/6 22K OHM J	
R543	RD-AZ151J-	R CARBON FILM	1/6 150 OHM J		RL09	RD-AZ223J-	R CARBON FILM	1/6 22K OHM J	
R545	RD-AZ223J-	R CARBON FILM	1/6 22K OHM J		RL10	RD-AZ333J-	R CARBON FILM	1/6 33K OHM J	
R546	RD-AZ152J-	R CARBON FILM	1/6 1.5K OHM J		RL20	RD-AZ102J-	R CARBON FILM	1/6 1K OHM J	
R560	RD-AZ101J-	R CARBON FILM	1/6 100 OHM J		RL21	RD-AZ102J-	R CARBON FILM	1/6 1K OHM J	
R561	RD-AZ101J-	R CARBON FILM	1/6 100 OHM J		RL22	RD-AZ102J-	R CARBON FILM	1/6 1K OHM J	
R601	RD-4Z221J-	R CARBON FILM	1/4 220 OHM J		RL23	RD-AZ102J-	R CARBON FILM	1/6 1K OHM J	
R602	RD-AZ102J-	R CARBON FILM	1/6 1K OHM J		RN03	RD-AZ822J-	R CARBON FILM	1/6 8.2K OHM J	
R610	RD-AZ102J-	R CARBON FILM	1/6 1K OHM J		RN04	RD-AZ154J-	R CARBON FILM	1/6 150K OHM J	
R611	RD-AZ223J-	R CARBON FILM	1/6 22K OHM J		RN05	RD-4Z151J-	R CARBON FILM	1/4 150 OHM J	
R701	RD-AZ472J-	R CARBON FILM	1/6 4.7K OHM J		RN06	RD-AZ154J-	R CARBON FILM	1/6 150K OHM J	
R709	RD-AZ472J-	R CARBON FILM	1/6 4.7K OHM J		RN09	RD-AZ153J-	R CARBON FILM	1/6 15K OHM J	
R710	RD-AZ472J-	R CARBON FILM	1/6 4.7K OHM J		RN10	RD-AZ332J-	R CARBON FILM	1/6 3.3K OHM J	

SERVICE PARTS LIST

LOC	PART CODE	PART NAME	DESCRIPTION	REMARK	LOC	PART CODE	PART NAME	DESCRIPTION	REMARK
RN13	RD-AZ103J-	R CARBON FILM	1/6 10K OHM J		RY16	RD-AZ102J-	R CARBON FILM	1/6 1K OHM J	
RN14	RD-AZ221J-	R CARBON FILM	1/6 220 OHM J		RY17	RD-AZ221J-	R CARBON FILM	1/6 220 OHM J	
RN20	RD-AZ182J-	R CARBON FILM	1/6 1.8K OHM J		RY19	RD-AZ750J-	R CARBON FILM	1/6 75 OHM J	
RN27	RD-AZ472J-	R CARBON FILM	1/6 4.7K OHM J		RY20	RD-AZ750J-	R CARBON FILM	1/6 75 OHM J	
RN28	RD-AZ472J-	R CARBON FILM	1/6 4.7K OHM J		RY21	RD-AZ820J-	R CARBON FILM	1/6 82 OHM J	
RN29	RD-AZ332J-	R CARBON FILM	1/6 3.3K OHM J		RY23	RD-AZ392J-	R CARBON FILM	1/6 3.9K OHM J	
RN31	RD-AZ102J-	R CARBON FILM	1/6 1K OHM J		RY24	RD-AZ102J-	R CARBON FILM	1/6 1K OHM J	
RN32	RD-AZ102J-	R CARBON FILM	1/6 1K OHM J		RY25	RD-AZ272J-	R CARBON FILM	1/6 2.7K OHM J	
RN33	RD-AZ102J-	R CARBON FILM	1/6 1K OHM J		RY28	RD-AZ182J-	R CARBON FILM	1/6 1.8K OHM J	
RN38	RD-AZ182J-	R CARBON FILM	1/6 1.8K OHM J		RY29	RD-AZ103J-	R CARBON FILM	1/6 10K OHM J	
RN39	RD-AZ103J-	R CARBON FILM	1/6 10K OHM J		RY30	RD-AZ103J-	R CARBON FILM	1/6 10K OHM J	
RN40	RD-AZ103J-	R CARBON FILM	1/6 10K OHM J		RY31	RD-AZ221J-	R CARBON FILM	1/6 220 OHM J	
RN42	RD-AZ182J-	R CARBON FILM	1/6 1.8K OHM J		RY32	RD-AZ102J-	R CARBON FILM	1/6 1K OHM J	
RN43	RD-AZ333J-	R CARBON FILM	1/6 33K OHM J		ZZ300	PTPWMSA668	PCB POWER MANUAL AS	DVT-14H3LA	
RN50	RD-AZ183J-	R CARBON FILM	1/6 18K OHM J		C418	CMYE2D684J	C MYLAR	200V PU 0.68MF J	⚠
RN51	RD-AZ223J-	R CARBON FILM	1/6 22K OHM J		C426	CMYH3C722J	C MYLAR	1.6KV BUP 7200PF J	⚠
RP02	RD-AZ102J-	R CARBON FILM	1/6 1K OHM J		C801	CL1JB3474K	C LINE ACROSS	AC250V 0.47MF U/C/SNDF/SV	
RP03	RD-AZ102J-	R CARBON FILM	1/6 1K OHM J		C804	CEYN2G101P	C ELECTRO	400V LHS 100MF (22X30)	⚠
RQ05	RD-AZ102J-	R CARBON FILM	1/6 1K OHM J		C811	CH1AFE472M	C CERA AC	4KV 4700PF M KX DE1610	⚠
RQ06	RD-AZ102J-	R CARBON FILM	1/6 1K OHM J		C821	CEYF2C101V	C ELECTRO	160V RSS 100MF (16X25)	
RQ07	RD-AZ181J-	R CARBON FILM	1/6 180 OHM J		C902	CCYB2H103K	C CERA	500V B 0.01MF K	
RQ08	RD-AZ181J-	R CARBON FILM	1/6 180 OHM J		D809	DHER308G--	DIODE	HER308G	⚠
RQ10	RD-AZ271J-	R CARBON FILM	1/6 270 OHM J		D821	DRGP30J---	DIODE	RGP30J	⚠
RQ11	RD-AZ431J-	R CARBON FILM	1/6 430 OHM J		F801	5FSCB4022R	FUSE CERA	SEMKO F4AH 4A 250V MF51	⚠
RQ12	RD-AZ821J-	R CARBON FILM	1/6 820 OHM J		I301	PTA2SW8201	HEAT SINK ASS'Y	ITDA8357J- + 7174301000	
RQ13	RD-AZ202J-	R CARBON FILM	1/6 2K OHM J		1	1TDA8357J-	IC VERTICAL	TDA8357J	Ⓡ
RQ15	RD-AZ271J-	R CARBON FILM	1/6 270 OHM J		0000A	4857028201	HEAT SINK	AL EX	
RQ16	RD-AZ431J-	R CARBON FILM	1/6 430 OHM J		0000B	7174301011	SCREW TAPPTITE	TT2 RND 3X10 MFZN	
RQ17	RD-AZ821J-	R CARBON FILM	1/6 820 OHM J		I801	PTG2SW7701	HEAT SINK ASS'Y	1STRF6653- + 7174300811	
RQ18	RD-AZ202J-	R CARBON FILM	1/6 2K OHM J		1	1STRF6653-	IC SMPS	STR-F6653	Ⓡ
RU07	RD-AZ272J-	R CARBON FILM	1/6 2.7K OHM J		0000A	4857027701	HEAT SINK	AL EX	
RU11	RD-AZ821J-	R CARBON FILM	1/6 820 OHM J		0000B	7174300811	SCREW TAPPTITE	TT2 RND 3X8 MFZN	
RU19	RN-AZ1001F	R METAL FILM	1/6 1K OHM F		I802	1KP1010C--	IC PHOTO COUPLER	KP-1010C	⚠
RU20	RD-AZ229J-	R CARBON FILM	1/6 2.2 OHM J		I821	1SE110N---	IC REGULATOR	SE110N	Ⓡ
RU21	RD-AZ229J-	R CARBON FILM	1/6 2.2 OHM J		I822	TX0202DA--	THYRISTOR	X0202DA1BA2	⚠
RU28	RD-AZ561J-	R CARBON FILM	1/6 560 OHM J		I823	PTV2SW7800	HEAT SINK ASS'Y	1K1A7809P1 + 7174300811	
RU29	RD-AZ333J-	R CARBON FILM	1/6 33K OHM J		1	1K1A7809P1	IC REGULATOR	K1A7809API	Ⓡ
RU30	RD-AZ153J-	R CARBON FILM	1/6 15K OHM J		0000A	4857027800	HEAT SINK	AL EX	
RU32	RD-AZ473J-	R CARBON FILM	1/6 47K OHM J		0000B	7174300811	SCREW TAPPTITE	TT2 RND 3X8 MFZN	
RU35	RD-AZ333J-	R CARBON FILM	1/6 33K OHM J		I824	PTW2SW7800	HEAT SINK ASS'Y	1K1A7806P1 + 7174300811	
RU36	RD-AZ103J-	R CARBON FILM	1/6 10K OHM J		1	1K1A7806P1	IC REGULATOR	K1A7806API	Ⓡ
RY02	RD-AZ103J-	R CARBON FILM	1/6 10K OHM J		0000A	4857027800	HEAT SINK	AL EX	
RY03	RD-AZ183J-	R CARBON FILM	1/6 18K OHM J		0000B	7174300811	SCREW TAPPTITE	TT2 RND 3X8 MFZN	
RY04	RD-AZ153J-	R CARBON FILM	1/6 15K OHM J		I825	1K1A7806P1	IC REGULATOR	K1A7806API	Ⓡ
RY05	RD-AZ822J-	R CARBON FILM	1/6 8.2K OHM J		I826	1LP295033-	IC REGULATOR	LP2950 3.3V	Ⓡ
RY07	RD-AZ331J-	R CARBON FILM	1/6 330 OHM J		I901	PTB3SW1300	HEAT SINK ASS'Y	1TDA6107Q- + 7174301011	
RY15	RD-AZ102J-	R CARBON FILM	1/6 1K OHM J		1	1TDA6107Q-	IC VIDEO	TDA6107Q	Ⓡ

SERVICE PARTS LIST

LOC	PART CODE	PART NAME	DESCRIPTION	REMARK	LOC	PART CODE	PART NAME	DESCRIPTION	REMARK
0000A	4857031300	HEAT SINK	A1050P-H24 T1.6		E004	4856310300	EYE LET	BSR T0.2 (R1.6)	
0000B	7174301011	SCREW TAPPTITE	TT2 RND 3X10 MFXN		E005	4856310300	EYE LET	BSR T0.2 (R1.6)	
L401	58H0000018	COIL H-LINEARITY	L-125 (125UH)		E006	4856310300	EYE LET	BSR T0.2 (R1.6)	
L801	5PLF24A3--	FILTER LINE	LF-24A3	⚠	E007	4856310300	EYE LET	BSR T0.2 (R1.6)	
P401	4859240020	CONN WAFER	YFW500-05		E008	4856310300	EYE LET	BSR T0.2 (R1.6)	
P801	4859235520	CONN WAFER	YW025-12		E009	4856310300	EYE LET	BSR T0.2 (R1.6)	
P903	4859289920	CONN WAFER	YFW254-05S		E010	4856310600	EYE LET	BSR T0.2 (R2.3)	
PA902	4850704S03	CONNECTOR	YH025-04+YST025+ULW=300		E011	4856310600	EYE LET	BSR T0.2 (R2.3)	
PW01	PTWBSW7410	CORD POWER ASS'Y	906111+HOUSING+TUBE+17700		E012	4856310600	EYE LET	BSR T0.2 (R2.3)	
PW000	4859906111	CORD POWER	M5206+H03VVH2-F=2250	⚠	E013	4856310600	EYE LET	BSR T0.2 (R2.3)	
PW001	4857417700	TERM CLAMP	PT01-T3		E014	4856310600	EYE LET	BSR T0.2 (R2.3)	
PW02	4850702S16	CONNECTOR	YFH800-02+YDT235+ULW=400		E015	4856310600	EYE LET	BSR T0.2 (R2.3)	
Q401	PTA2SW7610	HEAT SINK ASS'Y	T2SD2499-- + 7174301011		E016	4856310300	EYE LET	BSR T0.2 (R1.6)	
1	T2SD2499--	TR	2SD2499	⚠ (R)	E017	4856310300	EYE LET	BSR T0.2 (R1.6)	
0000A	4857027610	HEAT SINK	AL EX		E018	4856310300	EYE LET	BSR T0.2 (R1.6)	
0000B	7174301011	SCREW TAPPTITE	TT2 RND 3X10 MFXN		E019	4856310600	EYE LET	BSR T0.2 (R2.3)	
R801	DEC140M290	POSISTOR	ECPC140M290	⚠	E020	4856310600	EYE LET	BSR T0.2 (R2.3)	
R802	RX10B339JP	R CEMENT	10W 3.3 OHM J BEN 15MM 4P		E021	4856310600	EYE LET	BSR T0.2 (R2.3)	
R907	RF01Y188K-	R FUSIBLE	1W 0.18 OHM K	⚠ (R)	E022	4856310600	EYE LET	BSR T0.2 (R2.3)	
RLY1	5SC0101338	SW RELAY	DQ5D1-O(M)/GJ-SS-105LM	⚠	E023	4856310600	EYE LET	BSR T0.2 (R2.3)	
SCT1	4859303430	SOCKET CRT	PCS633A	⚠ (R)	E024	4856310600	EYE LET	BSR T0.2 (R2.3)	
SW801	5S40101146	SW POWER PUSH	SS-160-7-B		E025	4856310600	EYE LET	BSR T0.2 (R2.3)	
T401	50D10A2--	TRANS DRIVE	TD-10A2	⚠ (R)	E026	4856310600	EYE LET	BSR T0.2 (R2.3)	
T402	50H0000204	FBT	1142.5106	⚠ (R)	E027	4856310600	EYE LET	BSR T0.2 (R2.3)	
T801	50M3541A7-	TRANS SMPS	TSM-3541A7	⚠ (R)	E028	4856310600	EYE LET	BSR T0.2 (R2.3)	
ZZ200	PTPWJ0A668	PCB POWER ODD SHAPE	DVT-14H3LA		E029	4856310600	EYE LET	BSR T0.2 (R2.3)	
C311	CEXF1E471V	C ELECTRO	25V RSS 470MF (10X16) TP		E030	4856310600	EYE LET	BSR T0.2 (R2.3)	
C419	CEXF2C100V	C ELECTRO	160V RSS 10MF (10X16) TP		E031	4856310600	EYE LET	BSR T0.2 (R2.3)	
C421	CEXF2C470V	C ELECTRO	160V RSS 47MF (13X25) TP		E032	4856310600	EYE LET	BSR T0.2 (R2.3)	
C423	CEXF2E100V	C ELECTRO	250V RSS 10MF (10X20) TP		E033	4856310600	EYE LET	BSR T0.2 (R2.3)	
C802	CCXB3A472K	C CERA	1KV B 4700PF K (TAPPING)		E034	4856310300	EYE LET	BSR T0.2 (R1.6)	
C803	CCXB3A472K	C CERA	1KV B 4700PF K (TAPPING)		E035	4856310300	EYE LET	BSR T0.2 (R1.6)	
C806	CBXB3D471K	C CERA SEMI	2KV BL(N) 470PF K (T)		E036	4856310300	EYE LET	BSR T0.2 (R1.6)	
C809	CEXF2W100V	C ELECTRO	450V RSS 10MF (13X20) TP		E037	4856310600	EYE LET	BSR T0.2 (R2.3)	
C822	CEXF1C102V	C ELECTRO	16V RSS 1000MF (10X20) TP		E038	4856310600	EYE LET	BSR T0.2 (R2.3)	
C823	CEXF1C102V	C ELECTRO	16V RSS 1000MF (10X20) TP		E039	4856310300	EYE LET	BSR T0.2 (R1.6)	
C824	CEXF1C102V	C ELECTRO	16V RSS 1000MF (10X20) TP		E040	4856310300	EYE LET	BSR T0.2 (R1.6)	
C825	CEXF1C102V	C ELECTRO	16V RSS 1000MF (10X20) TP		E041	4856310300	EYE LET	BSR T0.2 (R1.6)	
C837	CEXF1V102V	C ELECTRO	35V RSS 1000MF (13X25) TP		E042	4856310300	EYE LET	BSR T0.2 (R1.6)	
C844	CEXF1C102V	C ELECTRO	16V RSS 1000MF (10X20) TP		P801A	4857417500	TERM PIN	DA-IB0214(D2.3/DY PIN)	
C850	CEXF2C470V	C ELECTRO	160V RSS 47MF (13X25) TP		P801B	4857417500	TERM PIN	DA-IB0214(D2.3/DY PIN)	
C904	CBXB3D102K	C CERA SEMI	2KV BL(N) 1000PF K (T)		P802	485923522S	CONN WAFER	YW025-09 (STICK)	
ZZ200	PTPWJBA668	PCB POWER M-10 AS	DVT-14H3LA		P802A	4857417500	TERM PIN	DA-IB0214(D2.3/DY PIN)	
10	2TM18006BE	TAPE MASKING	6.2X500		P802B	4857417500	TERM PIN	DA-IB0214(D2.3/DY PIN)	
E001	4856310300	EYE LET	BSR T0.2 (R1.6)		P803	485923202S	CONN WAFER	YW025-07 (STICK)	
E002	4856310300	EYE LET	BSR T0.2 (R1.6)		P803A	4857417500	TERM PIN	DA-IB0214(D2.3/DY PIN)	
E003	4856310300	EYE LET	BSR T0.2 (R1.6)		P803B	4857417500	TERM PIN	DA-IB0214(D2.3/DY PIN)	

SERVICE PARTS LIST

LOC	PART CODE	PART NAME	DESCRIPTION	REMARK	LOC	PART CODE	PART NAME	DESCRIPTION	REMARK
P804A	4857417500	TERM PIN	DA-IB0214(D2.3/DY PIN)		Q835	TKTA1266Y-	TR	KTA1266Y (TP)	
P804B	4857417500	TERM PIN	DA-IB0214(D2.3/DY PIN)		Q836	TKTC3198Y-	TR	KTC3198Y	
P901	485923182S	CONN WAFER	YW025-05 (STICK)		R318	RN02B331JS	R METAL FILM	2W 330 OHM J SMALL	
P902	485923172S	CONN WAFER	YW025-04 (STICK)		R416	RN02B102JS	R METAL FILM	2W 1K OHM J SMALL	
R803	RS02Z683JS	R M-OXIDE FILM	2W 68K OHM J SMALL		R417	RN02B103JS	R METAL FILM	2W 10K OHM J SMALL	
R809	RS02Z338JS	R M-OXIDE FILM	2W 0.33 OHM J SMALL	△	R830	RN02B109JS	R METAL FILM	2W 1 OHM J SMALL	
R832	RS02Z828JS	R M-OXIDE FILM	2W 0.82 OHM J SMALL		R831	RN02B473JS	R METAL FILM	2W 47K OHM J SMALL	
ZZ200	PTPWJRA668	PCB POWER RADIAL AS	DVT-14H3LA		R836	RN02B209JS	R METAL FILM	2W 2 OHM J SMALL	
C312	CBXF1H104Z	C CERA SEMI	50V F 0.1MF Z (TAPPING)		R837	RN02B240JS	R METAL FILM	2W 24 OHM J SMALL	
C313	CMXM2A104J	C MYLAR	100V 0.1MF J (TP)		R841	RN02B562JS	R METAL FILM	2W 5.6K OHM J SMALL	
C314	CMXM2A473J	C MYLAR	100V 0.047MF J (TP)		R842	RN02B562JS	R METAL FILM	2W 5.6K OHM J SMALL	
C315	CMXM2A473J	C MYLAR	100V 0.047MF J (TP)		ZZ200	PTPWJAA668	PCB POWER AXIAL AS	DVT-14H3LA	
C317	CMXM2A103J	C MYLAR	100V 0.01MF J (TP)		10	2TM14006LB	TAPE MASKING	3M #232 6.0X2000M	
C320	CMXM2A473J	C MYLAR	100V 0.047MF J (TP)		20	2TM10006LB	TAPE MASKING	3M #232-MAP-C 6.2X2000M	
C403	CCXB2H221K	C CERA	500V B 220PF K (TAPPING)		A001	4859813111	PCB POWER	246X165(330X246/2X1)	
C410	CEXF1H100V	C ELECTRO	50V RSS 10MF (5X11) TP		C852	CCZF1H103Z	C CERA	50V F 0.01MF Z	
C411	CCXB2H222K	C CERA	500V B 2200PF K (TAPPING)		C853	CCZF1H103Z	C CERA	50V F 0.01MF Z	
C412	CMXM2A104J	C MYLAR	100V 0.1MF J (TP)		C855	CCZF1H103Z	C CERA	50V F 0.01MF Z	
C424	CMXM2A104J	C MYLAR	100V 0.1MF J (TP)		C856	CCZF1H103Z	C CERA	50V F 0.01MF Z	
C433	CXSL2H470J	C CERA	500V SL 47PF J (TAPPING)		C857	CCZF1H103Z	C CERA	50V F 0.01MF Z	
C805	CEXF1H330V	C ELECTRO	50V RSS 33MF (6.3X11) TP		C858	CCZF1H103Z	C CERA	50V F 0.01MF Z	
C807	CCXB1H152K	C CERA	50V B 1500PF K (TAPPING)		C859	CCZF1H103Z	C CERA	50V F 0.01MF Z	
C808	CCXB1H821K	C CERA	50V B 820PF K (TAPPING)		D311	D1N4004S--	DIODE	1N4004S	
C827	CCXB1H472K	C CERA	50V B 4700PF K (TAPPING)		D312	DUZ12BM---	DIODE ZENER	UZ-12BM (UNIZON)	
C831	CCXB3A471K	C CERA	1KV B 470PF K (T)		D315	DUZ30BM---	DIODE ZENER	UZ-30BM	
C832	CCXB2H471K	C CERA	500V B 470PF K (TAPPING)		D316	DUZ30BM---	DIODE ZENER	UZ-30BM	
C838	CEXF1C470V	C ELECTRO	16V RSS 47MF (5X11) TP		D413	DRGP15J---	DIODE	RG15J	
C839	CEXF1C101V	C ELECTRO	16V RSS 100MF (6.3X11) TP		D421	DRGP15J---	DIODE	RG15J	
C842	CEXF1C101V	C ELECTRO	16V RSS 100MF (6.3X11) TP		D422	DRGP15J---	DIODE	RG15J	
C843	CEXF1C101V	C ELECTRO	16V RSS 100MF (6.3X11) TP		D423	DRGP15J---	DIODE	RG15J	
C845	CEXF1C101V	C ELECTRO	16V RSS 100MF (6.3X11) TP		D425	D1N4148---	DIODE	1N4148 (TAPPING)	
C846	CEXF1C101V	C ELECTRO	16V RSS 100MF (6.3X11) TP		D426	D1N4148---	DIODE	1N4148 (TAPPING)	
C849	CEXF1C101V	C ELECTRO	16V RSS 100MF (6.3X11) TP		D801	D1S1888---	DIODE	1S1888 (TAPPING)	
F801A	4857415001	CLIP FUSE	PFC5000-0702		D802	D1S1888---	DIODE	1S1888 (TAPPING)	
F801B	4857415001	CLIP FUSE	PFC5000-0702		D803	D1S1888---	DIODE	1S1888 (TAPPING)	
Q402	T2SD1207F-	TR	2SD1207-T (TAPPING)	Ⓜ	D804	D1S1888---	DIODE	1S1888 (TAPPING)	
Q801	TKTC3207--	TR	KTC3207 (TP)		D805	DRGP15J---	DIODE	RG15J	
Q802	TKTC3207--	TR	KTC3207 (TP)		D806	DRGP15J---	DIODE	RG15J	
Q821	TKTC3198Y-	TR	KTC3198Y		D807	DRGP15J---	DIODE	RG15J	
Q822	TKTC3198Y-	TR	KTC3198Y		D808	DUZ13BM---	DIODE ZENER	UZ-13BM	
Q823	TKTC3198Y-	TR	KTC3198Y		D822	DRGP15J---	DIODE	RG15J	
Q824	TKTC3198Y-	TR	KTC3198Y		D823	DRGP15J---	DIODE	RG15J	
Q825	TKTC3198Y-	TR	KTC3198Y		D824	DRGP15J---	DIODE	RG15J	
Q827	TKSA1013Y-	TR	KSA1013Y (TP)		D825	DRGP15J---	DIODE	RG15J	
Q828	TKTA1266Y-	TR	KTA1266Y (TP)		D827	D1N4148---	DIODE	1N4148 (TAPPING)	
Q829	TKTC3198Y-	TR	KTC3198Y		D828	DRGP15J---	DIODE	RG15J	
Q834	TKTC3203Y-	TR	KTC3203-Y		D831	D1N4148---	DIODE	1N4148 (TAPPING)	

SERVICE PARTS LIST

LOC	PART CODE	PART NAME	DESCRIPTION	REMARK	LOC	PART CODE	PART NAME	DESCRIPTION	REMARK
D832	DUZ5R6BM--	DIODE ZENER	UZ-5.6BM		R804	RD-2Z474J-	R CARBON FILM	1/2 470K OHM J	
D833	DUZ5R6BM--	DIODE ZENER	UZ-5.6BM		R806	RD-4Z470J-	R CARBON FILM	1/4 47 OHM J	
D839	D1N4004S--	DIODE	1N4004S		R807	RD-4Z362J-	R CARBON FILM	1/4 3.6K OHM J	
D841	D1N4148--	DIODE	1N4148 (TAPPING)		R808	RD-4Z102J-	R CARBON FILM	1/4 1K OHM J	
J001	85801065GY	WIRE COPPER	AWG22 1/0.65 TIN COATING		R810	RD-AZ472J-	R CARBON FILM	1/6 4.7K OHM J	
J002	85801065GY	WIRE COPPER	AWG22 1/0.65 TIN COATING		R811	RC-2Z565KP	R CARBON COMP	1/2 5.6M OHM K	△
J003	85801065GY	WIRE COPPER	AWG22 1/0.65 TIN COATING		R812	RD-4Z470J-	R CARBON FILM	1/4 47 OHM J	
J004	85801065GY	WIRE COPPER	AWG22 1/0.65 TIN COATING		R813	RD-2Z204J-	R CARBON FILM	1/2 200K OHM J	
J005	85801065GY	WIRE COPPER	AWG22 1/0.65 TIN COATING		R821	RD-4Z470J-	R CARBON FILM	1/4 47 OHM J	
J006	85801065GY	WIRE COPPER	AWG22 1/0.65 TIN COATING		R822	RD-4Z754J-	R CARBON FILM	1/4 750K OHM J	
J007	85801065GY	WIRE COPPER	AWG22 1/0.65 TIN COATING		R824	RD-AZ332J-	R CARBON FILM	1/6 3.3K OHM J	
J008	85801065GY	WIRE COPPER	AWG22 1/0.65 TIN COATING		R825	RD-AZ153J-	R CARBON FILM	1/6 15K OHM J	
J009	85801065GY	WIRE COPPER	AWG22 1/0.65 TIN COATING		R826	RD-2Z222J-	R CARBON FILM	1/2 2.2K OHM J	
J010	85801065GY	WIRE COPPER	AWG22 1/0.65 TIN COATING		R827	RD-2Z102J-	R CARBON FILM	1/2 1K OHM J	
J011	85801065GY	WIRE COPPER	AWG22 1/0.65 TIN COATING		R828	RD-AZ473J-	R CARBON FILM	1/6 47K OHM J	
J012	85801065GY	WIRE COPPER	AWG22 1/0.65 TIN COATING		R829	RD-4Z103J-	R CARBON FILM	1/4 10K OHM J	
J013	85801065GY	WIRE COPPER	AWG22 1/0.65 TIN COATING		R833	RD-4Z363J-	R CARBON FILM	1/4 36K OHM J	
J014	85801065GY	WIRE COPPER	AWG22 1/0.65 TIN COATING		R834	RD-AZ473J-	R CARBON FILM	1/6 47K OHM J	
J015	85801065GY	WIRE COPPER	AWG22 1/0.65 TIN COATING		R835	RD-AZ363J-	R CARBON FILM	1/6 36K OHM J	
J016	85801065GY	WIRE COPPER	AWG22 1/0.65 TIN COATING		R847	RD-AZ104J-	R CARBON FILM	1/6 100K OHM J	
J017	85801065GY	WIRE COPPER	AWG22 1/0.65 TIN COATING		R848	RD-AZ473J-	R CARBON FILM	1/6 47K OHM J	
J018	85801065GY	WIRE COPPER	AWG22 1/0.65 TIN COATING		R849	RD-AZ472J-	R CARBON FILM	1/6 4.7K OHM J	
J019	85801065GY	WIRE COPPER	AWG22 1/0.65 TIN COATING		R852	RD-AZ472J-	R CARBON FILM	1/6 4.7K OHM J	
J021	85801065GY	WIRE COPPER	AWG22 1/0.65 TIN COATING		R853	RD-AZ473J-	R CARBON FILM	1/6 47K OHM J	
J022	85801065GY	WIRE COPPER	AWG22 1/0.65 TIN COATING		R854	RD-4Z121J-	R CARBON FILM	1/4 120 OHM J	
J023	5CPZ569K02	COIL PEAKING	5.6UH K (AXIAL 3.5MM)		R861	RD-AZ104J-	R CARBON FILM	1/6 100K OHM J	
J025	85801065GY	WIRE COPPER	AWG22 1/0.65 TIN COATING		R862	RD-AZ473J-	R CARBON FILM	1/6 47K OHM J	
L311	5CPZ109M04	COIL PEAKING	1UH 10.5MM M (LAL04TB)		R863	RD-AZ472J-	R CARBON FILM	1/6 4.7K OHM J	
L312	5CPZ100K04	COIL PEAKING	10UH 10.5MM K (LAL04TB)		R901	RD-AZ101J-	R CARBON FILM	1/6 100 OHM J	
L313	5CPZ100K04	COIL PEAKING	10UH 10.5MM K (LAL04TB)		R902	RD-AZ101J-	R CARBON FILM	1/6 100 OHM J	
L412	85801065GY	WIRE COPPER	AWG22 1/0.65 TIN COATING		R903	RD-AZ101J-	R CARBON FILM	1/6 100 OHM J	
L802	5MC0000100	COIL BEAD	HC-3550		R904	RD-AZ101J-	R CARBON FILM	1/6 100 OHM J	
R311	RN-4Z1201F	R METAL FILM	1/4 1.20K OHM F		R905	RD-AZ101J-	R CARBON FILM	1/6 100 OHM J	
R312	RN-4Z1201F	R METAL FILM	1/4 1.20K OHM F		R906	RD-AZ101J-	R CARBON FILM	1/6 100 OHM J	
R315	RD-4Z562J-	R CARBON FILM	1/4 5.6K OHM J		R908	RD-2Z102J-	R CARBON FILM	1/2 1K OHM J	
R316	RD-4Z272J-	R CARBON FILM	1/4 2.7K OHM J		R909	RD-2Z102J-	R CARBON FILM	1/2 1K OHM J	
R317	RD-4Z564J-	R CARBON FILM	1/4 560K OHM J		R910	RD-2Z102J-	R CARBON FILM	1/2 1K OHM J	
R319	RD-2Z159J-	R CARBON FILM	1/2 1.5 OHM J						
R320	RD-4Z473J-	R CARBON FILM	1/4 47K OHM J						
R321	RD-4Z159J-	R CARBON FILM	1/4 1.5 OHM J						
R405	RD-AZ152J-	R CARBON FILM	1/6 1.5K OHM J						
R412	RD-4Z272J-	R CARBON FILM	1/4 2.7K OHM J						
R413	RD-4Z399J-	R CARBON FILM	1/4 3.9 OHM J						
R419	RD-4Z273J-	R CARBON FILM	1/4 27K OHM J						
R421	RD-2Z224J-	R CARBON FILM	1/2 220K OHM J						
R422	RD-4Z102J-	R CARBON FILM	1/4 1K OHM J						
R423	RD-4Z303J-	R CARBON FILM	1/4 30K OHM J						

THE DIFFERENT PARTS LIST FOR INCH OPTION

Loc.	PART NAME	DESCRIPTION	S/N	14" CHUNGHWA	20" DOSA	21" PHILIPS	REMARK
C418	C MYLAR	200V PU 0.47uF	CMYE2D474J			○	
		200V PU 0.68uF	CMYE2D684J	○	○		
L401	COIL H-LINEARIT	L-102 (102uH)	58H0000016			○	
L401	COIL H-LINEARIT	L-125 (125uH)	58H0000018	○			
R416	R METAL FILM	2W 1K OHM J SMALL	RN02B102JS	○		○	
J020	WIRE COPPER	AWG22 1/0.65 TIN CO	85801065GY		○		POWER PCB
C426	C MYLAR	1.6KV BUP 7200pF	CMYH3C722J	○	○		
		1.6KV BUP 8200pF	CMYH3C822J			○	
R311	R METAL FILM	1/4 1.20K OHM F	RN-4Z1201F	○			
		1/4 1.50K OHM F	RN-4Z1501F		○		
		1/4 2.0K OHM F	RN-4Z2001F			○	
R312	R EMTAL FILM	1/4 1.20K OHM F	RN-4Z1201F	○			
		1/4 1.50K OHM F	RN-4Z1501F		○		
		1/4 2.0K OHM F	RN-4Z2001F			○	
R801	POSISTOR	ECPC140M290	DEC140M290	○			
		2322 662 96709	DPC7R0M290		○	○	
P401	CONN WAFER	YFW500-05	4859240020	○	○		
		YFW500-06	4859240120			○	
R907	R FUSIBLE	1W 0.18K (TAPPING)	RF01Y188K-	○			
	R M-OXIDE	1W 3 0HM J	RS01Z309J-		○		
		2W 3.6 OHM J SMALL	RS02Z369JS			○	
V901	CRT	A34AGT14X	4859609841	○			ML-53987A1
		A48JLL90X02 P50	4859604160		○		ODY-M2002
		A51EAL55X17	4859607660C			○	AT6035/17
SCT1	SOCKET CRT	PCS633A	4859303430	○	○		
		PCS629-03C	4859303530			○	
ZZ131	CRT GROUND N	1401S-1015-1P	48519A4710	○			
		2001S-1015-1P	48519A5110		○		
		2101S-1015-1P	48519A5310			○	

Loc.	PART NAME	DESCRIPTION	S/N	14" CHUNGHWA	20" DOSA	21" PHILIPS	REMARK
ZZ132	COIL DEGAUSS	DC-1450	58G0000084	○			
		DC-20SF	58G0000146		○		
		DC-21SF	58G0000147			○	
R525	R CARBON FILM	1/6 6.8K OHM J	RD-AZ682J-	○			MAIN PCB
		1/6 5.6K OHM J	RD-AZ562J-		○		MAIN PCB
		1/6 5.1K OHM J	RD-AZ512J-			○	MAIN PCB
R523	R CHIP	1/10 75K OHM J	HRFT753JA	○	○		MAIN PCB
		1/10 91K OHM J	HRFT913JCA			○	MAIN PCB
R611	R CARBON FILM	1/6 22K OHM J	RD-AZ223J-	○			MAIN PCB
		1/6 18K OHM J	RD-AZ183J-		○	○	MAIN PCB
00020	ANT LOOP	PH-RM-006A	4852A01220	○			ONLY USED U.K
	ANT ROD	RH-RM-008A	4850A03310	○			
R835	R CARBON FILM	1/6 36K OHM J	RD-AZ363J-		○	○	
	R CARBON FILM	1/6 75K OHM J	RD-AZ753J-	○			
R827	R CARBON FILM	1/2 1K OHM J	RD-2Z102J-	○			
	WIRE COPPER	AWG22 V0.65 TIN COATING	85801065GY		○	○	
R801	TRANS SMPS	TSM-3541A7	50M7541A7-	○			
		TSM-3541A6	50M7541A6-		○	○	
I821	I.C	SE110N	1SE110N---	○			
		SE125N	1SE125N---		○	○	

THE DIFFERENT PARTS LIST FOR SYSTEM & TUNER OPTION

39

LOC.	PART NAME	DESCRIPTION	S/N	UNITED KINGDOM		CONTINENTAL		FRANCE		EAST EUROPE		MIDDLE EAST ASIA		AUSTRALIA		REMARK
I151	IC RF	TDA9801	1TDA9801--		○		○				○		○		○	New Part(Dempol)
	IC RF	TDA9802	1TDA9802--						○							New Part(Dempol)
I501	IC VIDEO	TDA8841	1TDA8841--	○	○	○	○							○	○	
		TDA8842/N2	1TDA8842N2					○	○	○	○	○	○			
IA60	IC	TC4053BP	1TC4053BP-		○		○		○		○		○		○	
IL01	IC SIF	STV8225	1STV8225--					○	○							New Part(Dempol)
IL20	IC SECAM L	TA1238N	1TA1238N--					○	○							New Part(Dempol)
IL50	IC SIF	STV8225	1STV8225--					○								
L155	COIL PIF	TRF-7780A	58B0000S88		○		○		○				○		○	New Part(Dempol)
SF150	FILTER SAW	J1952M	5PJ1952M--		○				○							
		G1966M	5PG1966M--				○								○	
		K2950M	5PK2950M--								○		○			
SF501	FILTER SAW	J1952M	5PJ1952M--	○	○			○	○							
		G1966M	5PG1966M--			○	○							○	○	
		K2950M	5PK2950M--							○	○	○	○			
SFL01	FILTER SAW	L9653M	5PL9653M--					○	○						New Part	
SFL50	FILTER SAW	L9653M	5PL9653M--						○							
U101	TUNER	TAEL-G772D	4859721030		○		○		○				○		○	New Part
		DT5-BF18D	4859719930	○		○		○		○			○		○	
U150	TUNER	DT5-BF15P	4859719730		○		○		○				○		○	
U150A	JACK PHONO	PLUG+CABLE 1365 AW	4859004650		○		○		○				○		○	
XL20	CRYSTAL QUARTZ	HC-49S 4.286000M	5XJX4R286C					○	○							New Part(Dempol)
Z502	FILTER CERA	XT 6.5MB	5PYXT6R5MB							○	○	○	○			
Z503	FILTER CERA	XT 5.5MB	5PYXT5R5MB			○	○	○	○	○	○	○	○	○	○	
		XT 6.0MB	5PYXT6R0MB	○	○											
Z153	FILTER CERA	XT 6.5MB	5PYXT6R5MB							○			○			
Z154	FILTER CERA	XT 5.5MB	5PYXT5R5MB				○		○				○		○	
		XT 6.0MB	5PYXT6R0MB		○											

LOC.	PART NAME	DESCRIPTION	S/N	UNITED KINGDOM		CONTINENTAL		FRANCE		EAST EUROPE		MIDDLE EAST ASIA		AUSTRALIA		REMARK
				1Tuner	2Tuner	1Tuner	2Tuner	1Tuner	2Tuner	1Tuner	2Tuner	1Tuner	2Tuner	1Tuner	2Tuner	
CC150	C CHIP CERA	50V 0.01uF	HCBK103KCA		○		○		○		○		○		○	
CC156		50V 1000pF	HCBK102KCA		○		○		○		○		○		○	
CC157		50V 0.1uF	HCFK104ZCA		○		○		○		○		○		○	
CC159		50V 0.1uF	HCFK104ZCA		○		○		○		○		○		○	
CC160		50V CH 82pF	HCQK820JCA		○		○		○		○		○		○	
CC161		50V 0.033uF	HCBK333KCA		○		○		○		○		○		○	
CC162		50V 0.033uF	HCBK333KCA		○		○		○		○		○		○	
CC163		50V 0.022uF	HCBK223KCA						○							
CC163		50V 0.015uF	HCBK153KCA		○		○				○		○		○	
CC165		50V 0.1uF	HCFK104ZCA		○		○		○		○		○		○	
CC167		50V CH 56pF	HCQK560JCA		○		○		○		○		○		○	
CC169		50V 4700pF	HCBK472KCA		○		○		○		○		○		○	
CC170		50V 1000pF	HCBK102KCA		○		○		○		○		○		○	
CC172		50V CH 8pF	HCQK809DCA		○		○				○		○		○	
CC175		50V 0.1uF	HCFK104ZCA		○		○		○		○		○		○	
CC710		50V 4700pF	HCBK472KCA		○		○		○		○		○		○	
CC716		0.1uF	HCFK104ZCA						○							
CC717		0.022uF	HCBK223KCA					○	○							
CC720		0.01uF	HCBK103KCA					○	○							
CC721		0.01uF	HCBK103KCA						○							
CCA64		50V 4700pF	HCBK472KCA		○		○		○		○		○		○	
CCL01		22pF	HCQK220JCA					○	○							
CCL02		82pF	HCQK820JCA					○	○							
CCL03		22pF	HCQK220JCA					○	○							
CCL08		0.01uF	HCBK103KCA					○	○							
CCL09		0.01uF	HCBK103KCA					○	○							
CCL11		0.1uF	HCFK104ZCA					○	○							
CCL20		0.01uF	HCBK103KCA					○	○							

LOC.	PART NAME	DESCRIPTION	S/N	UNITED KINGDOM		CONTINENTAL		FRANCE		EAST EUROPE		MIDDLE EAST ASIA		AUSTRALIA		REMARK
				1Tuner	2Tuner	1Tuner	2Tuner	1Tuner	2Tuner	1Tuner	2Tuner	1Tuner	2Tuner	1Tuner	2Tuner	
CCL21		0.1uF	HCFK104ZCA					○	○							
CCL22		0.1uF	HCFK104ZCA					○	○							
CCL23		15pF	HCQK150JCA					○	○							
CCL24		0.01uF	HCBK103KCA					○	○							
CCL26		100pF	HCQK101JCA					○	○							
CCL27		100pF	HCQK101JCA					○	○							
CCL28		0.033uF	HCBK333KCA					○	○							
CCL30		0.01uF	HCBK103KCA					○	○							
CCL31		0.01uF	HCBK103KCA					○	○							
CCL32		0.01uF	HCBK103KCA					○	○							
CCL33		0.01uF	HCBK103KCA					○	○							
CCL36		0.047uF	HCBK473KCA					○	○							
CCL39		0.047uF	HCBK473KCA					○	○							
CCL40		0.01uF	HCBK103KCA					○	○							
CCL41		0.1uF	HCFK104ZCA					○	○							
CCL50		50 CH 22pF	HCQK220JCA						○							
CCL51		50V CH 82pF	HCQK820JCA						○							
CCL52		50 CH 22pF	HCQK220JCA						○							
CCL53		0.1uF	HCFK104ZCA						○							
CCL56		0.1uF	HCFK104ZCA						○							
CCP01		0.01uF	HCBK103KCA		○		○		○		○		○		○	
CCP03		0.047uF	HCBK473KCA		○		○		○		○		○		○	
CCP05		0.01uF	HCBK103KCA		○		○		○		○		○		○	
DC154	DIODE CHIP	BB639C	DBB639C-B						○							New Part (Dempol)
ICP01	IV VPS(PDC)	LC74793	1LC74793--		○		○		○		○		○		○	New Part
QC150	TR CHIP	2SA812	T2SA812T2B		○		○		○		○		○		○	
QC151		2SC1623	T2SC1623T2						○							

LOC.	PART NAME	DESCRIPTION	S/N	UNITED KINGDOM		CONTINENTAL		FRANCE		EAST EUROPE		MIDDLE EAST ASIA		AUSTRALIA		REMARK
				1Tuner	2Tuner	1Tuner	2Tuner	1Tuner	2Tuner	1Tuner	2Tuner	1Tuner	2Tuner	1Tuner	2Tuner	
QC152		2SC1623	T2SC1623T2		○		○		○		○		○		○	
QC153		2SC1623	T2SC1623T2		○		○		○		○		○		○	
QC706		2SC1623	T2SC1623T2						○							
QCA11		2SC1623	T2SC1623T2		○		○		○		○		○		○	
QCL01		KTC3881	TKTC3881-B					○	○							
QCL02		2SC1623	T2SC1623T2					○	○							
QCL20		2SC1623	T2SC1623T2					○	○							
QCL21		2SC1623	T2SC1623T2					○	○							
QCL22		2SC1623	T2SC1623T2					○	○							
QCL23		2SA812	T2SA812T2B					○	○							
QCL50		KTC3881	TKTC3881-B						○							
QCL52		2SC1623	T2SC1623T2						○							
QCP01		2SA812	T2SA812T2B		○		○		○		○		○		○	
RC105	R CHIP	1/10 18K OHM	HRFT183JCA					○	○							Adjust Level AGC
RC150		1/10 100 OHM	HRFT101JCA		○		○		○		○		○		○	
RC154		1/10 3.9K OHM	HRFT392JCA		○		○		○		○		○		○	
RC156		1/10 8.2K OHM	HRFT822JCA		○		○		○		○		○		○	
RC157		1/10 3.3K OHM	HRFT332JCA		○		○		○		○		○		○	
RC160		1/10 2.4K OHM	HRFT242JCA		○		○		○		○		○		○	
RC161		1/10 1.8K OHM	HRFT182JCA		○		○		○		○		○		○	
RC162		1/10 3K OHM	HRFT302JCA						○							
RC162		1/10 4.7K OHM	HRFT472JCA		○		○		○		○		○		○	
RC164		1/10 10K OHM	HRFT103JCA		○		○		○		○		○		○	
RC165		1/10 560 OHM	HRFT561JCA		○		○		○		○		○		○	
RC167		1/10 22K OHM	HRFT223JCA		○		○		○		○		○		○	
RC168		1/10 100K OHM	HRFT104JCA		○		○		○		○		○		○	
RC169		1/10 100K OHM	HRFT104JCA		○		○		○		○		○		○	
RC174		1/10 150K OHM	HRFT154JCA						○							

LOC.	PART NAME	DESCRIPTION	S/N	UNITED KINGDOM		CONTINENTAL		FRANCE		EAST EUROPE		MIDDLE EAST ASIA		AUSTRALIA		REMARK
				1 Tuner	2 Tuner	1 Tuner	2 Tuner	1 Tuner	2 Tuner	1 Tuner	2 Tuner	1 Tuner	2 Tuner	1 Tuner	2 Tuner	
RC174		1/10 130K OHM	HRFT134JCA		○		○				○		○		○	
RC175		1/10 75K OHM	HRFT753JCA		○		○		○		○		○		○	
RC176		1/10 1.5K OHM	HRFT152JCA						○							
RC176		1/10 1.2K OHM	HRFT122JCA		○		○				○		○		○	
RC178		1/10 1K OHM	HRFT102JCA		○		○		○		○		○		○	
RC179		1/10 1K OHM	HRFT102JCA		○		○		○		○		○		○	
RC551		*	*		560 OHM		560OHM		1.1K OHM		560 OHM		560 OHM		560 OHM	Sound Level
RC722		1/10 10K OHM	HRFT103JCA						○	○						
RC723		1/10 10K OHM	HRFT103JCA							○						
RC725		1/10 24K OHM	HRFT243JCA							○						
RC726		1/10 10K OHM	HRFT103JCA						○	○						
RC727		1/10 68 OHM	HRFT680JCA						○	○						
RC728		1/10 1K OHM	HRFT102JCA						○	○						
RC745		1/10 10K OHM	HRFT103JCA	○		○		○			○		○		○	
RCA52		1/10 4.7K OHM	HRFT472JCA		○		○			○			○		○	
RCL01		1/10 47 OHM	HRFT470JCA						○	○						
RCL02		1/10 2.2K OHM	HRFT222JCA						○	○						
RCL03		1/10 100 OHM	HRFT101JCA						○	○						
RCL04		1/10 15K OHM	HRFT153JCA						○	○						
RCL05		1/10 750 OHM	HRFT751JCA						○	○						
RCL06		1/10 10K OHM	HRFT103JCA						○	○						
RCL07		1/10 6.8K OHM	HRFT682JCA						○	○						
RCL08		1/10 33K OHM	HRFT333JCA						○	○						
RCL24		1/10 1K OHM	HRFT102JCA						○	○						
RCL25		1/10 33K OHM	HRFT333JCA						○	○						
RCL26		1/10 12K OHM	HRFT123JCA						○	○						
RCL27		1/10 1K OHM	HRFT102JCA						○	○						
RCL28		1/10 2K OHM	HRFT202JCA						○	○						

LOC.	PART NAME	DESCRIPTION	S/N	UNITED KINGDOM		CONTINENTAL		FRANCE		EAST EUROPE		MIDDLE EAST ASIA		AUSTRALIA		REMARK
				1Tuner	2Tuner	1Tuner	2Tuner	1Tuner	2Tuner	1Tuner	2Tuner	1Tuner	2Tuner	1Tuner	2Tuner	
RCL29		1/10 470 OHM	HRFT471JCA					○	○							
RCL30		1/10 10K OHM	HRFT103JCA					○	○							
RCL31		1/10 2.2K OHM	HRFT222JCA					○	○							
RCL32		1/10 3.3K OHM	HRFT332JCA					○	○							
RCL33		1/10 10K OHM	HRFT103JCA					○	○							
RCL50		1/10 47 OHM	HRFT470JCA						○							
RCL51		1/10 15K OHM	HRFT153JCA						○							
RCL52		1/10 2.2K OHM	HRFT222JCA						○							
RCL53		1/10 750 OHM	HRFT751JCA						○							
RCL54		1/10 100 OHM	HRFT101JCA						○							
RCL55		1/10 10K OHM	HRFT103JCA						○							
RCL56		1/10 6.8K OHM	HRFT682JCA						○							
RCL60		1/10 22K OHM	HRFT223JCA						○							
RCL61		1/10 33K OHM	HRFT333JCA						○							
RCL62		1/10 33K OHM	HRFT333JCA						○							
RCP01		1/10 390 OHM	HRFT391JCA		○		○		○		○		○		○	
RCP04		1/10 10K OHM	HRFT103JCA		○		○		○		○		○		○	
RCP05		1/10 1.8K OHM	HRFT182JCA		○		○		○		○		○		○	
RCP06		1/10 5.6K OHM	HRFT562JCA		○		○		○		○		○		○	
RCP07		1/10 10K OHM	HRFT103JCA		○		○		○		○		○		○	
C151	C ELECTRO	25V RSS 220uF	CEXF1E221V		○		○		○		○		○		○	
C156		50V RSS 10uF	CEXF1H100V		○		○		○		○		○		○	
C157		50V RSS 100uF	CEXF1E101V		○		○		○		○		○		○	
C164		50V RSS 22uF	CEXF1H220V		○		○		○		○		○		○	
C166		25V RSS 47uF	CEXF1E470V		○		○		○		○		○		○	
C173		50V RSS 2.2uF	CEXF1H229V		○		○		○		○		○		○	
C174		25V RSS 100uF	CEXF1E101V		○		○		○		○		○		○	
C176		50V RSS 10uF	CEXF1H100V		○		○		○		○		○		○	

LOC.	PART NAME	DESCRIPTION	S/N	UNITED KINGDOM		CONTINENTAL		FRANCE		EAST EUROPE		MIDDLE EAST ASIA		AUSTRALIA		REMARK
				1Tuner	2Tuner	1Tuner	2Tuner	1Tuner	2Tuner	1Tuner	2Tuner	1Tuner	2Tuner	1Tuner	2Tuner	
C177		25V RSS 47uF	CEXF1E470V		○		○		○		○		○		○	
C718		50V RSM 10uF	CEXF1H100A					○	○							
CA60		25V RSS 100uF	CEXF1E101V		○		○		○		○		○		○	
CA62		50V RSS 10uF	CEXF1H100V		○		○		○		○		○		○	
CA63		50V RSS 10uF	CEXF1H100V		○		○		○		○		○		○	
CA65		25V RSS 47uF	CEXF1E470V		○		○		○		○		○		○	
CA66		25V RSS 47uF	CEXF1E470V		○		○		○		○		○		○	
CL05		50V RSS 4.7uF	CEXF1H479V					○	○							
CL10		25V RSS 100uF	CEXF1E101V					○	○							
CL12		50V RSS 4.7uF	CEXF1H479V					○	○							
CL25		16V RSM 100uF	CEXF1C101A					○	○							
CL29		50V RSM 2.2uF	CEXF1H229A					○	○							
CL34		16V RSM 100uF	CEXF1C101A					○	○							
CL35		50V RSM 1uF	CEXF1H109A					○	○							
CL38		50V RSM 1uF	CEXF1H109A					○	○							
CL54		50V RSS 4.7uF	CEXF1H479V						○							
CL55		25V RSS 100uF	CEXF1E101V						○							
CL57		50V RSS 4.7uF	CEXF1H479V						○							
CP04		50V RSM 4.7uF	CEXF1H479A		○		○		○		○		○		○	
CP07		50V RSM 1uF	CEXF1H109A		○		○		○		○		○		○	
CP09		16V RSM 100uF	CEXF1C101A		○		○		○		○		○		○	
CP10		50V RSS 1uF	CEXF1H109V		○		○		○		○		○		○	
I150	IC	UPC574J	1UPC574J--		○		○		○		○		○		○	
Q705	TR	KTC3198Y	TKTC3198Y-					○	○							
R157		10K OHM	RV4121103P						○							
R171		10K OHM	RV5426103P						○				○		○	
R180	R METAL FILM	2W 56 OHM J	RN02B560JS		○		○		○		○		○		○	
R181		2W56 OHM J	RN02B560JS		○		○		○		○		○		○	

LOC.	PART NAME	DESCRIPTION	S/N	UNITED KINGDOM		CONTINENTAL		FRANCE		EAST EUROPE		MIDDLE EAST ASIA		AUSTRALIA		REMARK
				1Tuner	2Tuner	1Tuner	2Tuner	1Tuner	2Tuner	1Tuner	2Tuner	1Tuner	2Tuner	1Tuner	2Tuner	
J158		AWG22 1/0.65	85801065GY	<input type="radio"/>		<input type="radio"/>		<input type="radio"/>		<input type="radio"/>		<input type="radio"/>		<input type="radio"/>		
J163		AWG22 1/0.65	85801065GY		<input type="radio"/>		<input type="radio"/>		<input type="radio"/>		<input type="radio"/>		<input type="radio"/>		<input type="radio"/>	
J169		AWG22 1/0.65	85801065GY						<input type="radio"/>							
J170		AWG22 1/0.65	85801065GY						<input type="radio"/>							
J177		AWG22 1/0.65	85801065GY		<input type="radio"/>		<input type="radio"/>		<input type="radio"/>		<input type="radio"/>		<input type="radio"/>		<input type="radio"/>	
J184		AWG22 1/0.65	85801065GY		<input type="radio"/>		<input type="radio"/>		<input type="radio"/>		<input type="radio"/>		<input type="radio"/>		<input type="radio"/>	
J192		AWG22 1/0.65	85801065GY		<input type="radio"/>		<input type="radio"/>		<input type="radio"/>		<input type="radio"/>		<input type="radio"/>		<input type="radio"/>	
J194		AWG22 1/0.65	85801065GY		<input type="radio"/>		<input type="radio"/>		<input type="radio"/>		<input type="radio"/>		<input type="radio"/>		<input type="radio"/>	
J195		AWG22 1/0.65	85801065GY		<input type="radio"/>		<input type="radio"/>		<input type="radio"/>		<input type="radio"/>		<input type="radio"/>		<input type="radio"/>	
J200		AWG22 1/0.65	85801065GY		<input type="radio"/>		<input type="radio"/>		<input type="radio"/>		<input type="radio"/>		<input type="radio"/>		<input type="radio"/>	
J201		AWG22 1/0.65	85801065GY	<input type="radio"/>		<input type="radio"/>		<input type="radio"/>		<input type="radio"/>		<input type="radio"/>		<input type="radio"/>		
J202		AWG22 1/0.65	85801065GY		<input type="radio"/>		<input type="radio"/>		<input type="radio"/>		<input type="radio"/>		<input type="radio"/>		<input type="radio"/>	
J209		AWG22 1/0.65	85801065GY					<input type="radio"/>	<input type="radio"/>							
J210		AWG22 1/0.65	85801065GY					<input type="radio"/>	<input type="radio"/>							
J215		AWG22 1/0.65	85801065GY						<input type="radio"/>							
J217		AWG22 1/0.65	85801065GY	<input type="radio"/>	<input type="radio"/>	<input type="radio"/>	<input type="radio"/>			<input type="radio"/>	<input type="radio"/>	<input type="radio"/>	<input type="radio"/>	<input type="radio"/>	<input type="radio"/>	
J220		AWG22 1/0.65	85801065GY		<input type="radio"/>		<input type="radio"/>		<input type="radio"/>		<input type="radio"/>		<input type="radio"/>		<input type="radio"/>	
J221		AWG22 1/0.65	85801065GY	<input type="radio"/>		<input type="radio"/>		<input type="radio"/>		<input type="radio"/>		<input type="radio"/>		<input type="radio"/>		
J229		AWG22 1/0.65	85801065GY		<input type="radio"/>		<input type="radio"/>		<input type="radio"/>		<input type="radio"/>		<input type="radio"/>		<input type="radio"/>	
J232		AWG22 1/0.65	85801065GY		<input type="radio"/>		<input type="radio"/>		<input type="radio"/>		<input type="radio"/>		<input type="radio"/>		<input type="radio"/>	
J236		AWG22 1/0.65	85801065GY	<input type="radio"/>	<input type="radio"/>	<input type="radio"/>	<input type="radio"/>			<input type="radio"/>	<input type="radio"/>	<input type="radio"/>	<input type="radio"/>	<input type="radio"/>	<input type="radio"/>	
J258		AWG22 1/0.65	85801065GY					<input type="radio"/>	<input type="radio"/>							
J263		AWG22 1/0.65	85801065GY					<input type="radio"/>	<input type="radio"/>							
J268		AWG22 1/0.65	85801065GY					<input type="radio"/>	<input type="radio"/>							
J270		AWG22 1/0.65	85801065GY		<input type="radio"/>		<input type="radio"/>		<input type="radio"/>		<input type="radio"/>		<input type="radio"/>		<input type="radio"/>	
J273		AWG22 1/0.65	85801065GY		<input type="radio"/>		<input type="radio"/>		<input type="radio"/>		<input type="radio"/>		<input type="radio"/>		<input type="radio"/>	
J274		AWG22 1/0.65	85801065GY		<input type="radio"/>		<input type="radio"/>		<input type="radio"/>		<input type="radio"/>		<input type="radio"/>		<input type="radio"/>	
J275		AWG22 1/0.65	85801065GY					<input type="radio"/>	<input type="radio"/>							

48

LOC.	PART NAME	DESCRIPTION	S/N	UNITED KINGDOM		CONTINENTAL		FRANCE		EAST EUROPE		MIDDLE EAST ASIA		AUSTRALIA		REMARK
				1Tuner	2Tuner	1Tuner	2Tuner	1Tuner	2Tuner	1Tuner	2Tuner	1Tuner	2Tuner	1Tuner	2Tuner	
J276		AWG22 1/0.65	85801065GY					<input type="radio"/>	<input type="radio"/>							
L152	COIL PEAKING	100uH(10.5MM)	5CPZ101K04		<input type="radio"/>		<input type="radio"/>		<input type="radio"/>		<input type="radio"/>		<input type="radio"/>		<input type="radio"/>	
L153		22uH F	5CPZ220K02		<input type="radio"/>		<input type="radio"/>		<input type="radio"/>		<input type="radio"/>		<input type="radio"/>		<input type="radio"/>	
L154		6.8uH F	5CP689K02		<input type="radio"/>		<input type="radio"/>		<input type="radio"/>		<input type="radio"/>		<input type="radio"/>		<input type="radio"/>	
L156		100uH(10.5MM)	5CPZ101K04		<input type="radio"/>		<input type="radio"/>		<input type="radio"/>		<input type="radio"/>		<input type="radio"/>		<input type="radio"/>	
LA60		100uH(10.5MM)	5CPZ101K04		<input type="radio"/>		<input type="radio"/>		<input type="radio"/>		<input type="radio"/>		<input type="radio"/>		<input type="radio"/>	
LL01		100uH(10.5MM)	5CPZ101K04					<input type="radio"/>	<input type="radio"/>							
LL20		100uH(10.5MM)	5CPZ101K04					<input type="radio"/>	<input type="radio"/>							
LL21		100uH(10.5MM)	5CPZ101K04					<input type="radio"/>	<input type="radio"/>							
LL50		100uH(10.5MM)	5CPZ101K04						<input type="radio"/>							
LP01		22uH F	5CPZ220K02		<input type="radio"/>		<input type="radio"/>		<input type="radio"/>		<input type="radio"/>		<input type="radio"/>		<input type="radio"/>	
LP02		5.6uH F	5CPZ569K02		<input type="radio"/>		<input type="radio"/>		<input type="radio"/>		<input type="radio"/>		<input type="radio"/>		<input type="radio"/>	
R151	R CARBON FILM	1/6 100 OHM	RD-AZ101J-		<input type="radio"/>		<input type="radio"/>		<input type="radio"/>		<input type="radio"/>		<input type="radio"/>		<input type="radio"/>	
R153		1/6 18K OHM	RD-AZ183J-						<input type="radio"/>							Adjust Level AGC
R155		1/6 680 OHM	RD-AZ681J-		<input type="radio"/>		<input type="radio"/>		<input type="radio"/>		<input type="radio"/>		<input type="radio"/>		<input type="radio"/>	
R158		1/6 75 OHM	RD-AZ750J-		<input type="radio"/>		<input type="radio"/>		<input type="radio"/>		<input type="radio"/>		<input type="radio"/>		<input type="radio"/>	
R159		1/6 82 OHM	RD-AZ820J-		<input type="radio"/>		<input type="radio"/>		<input type="radio"/>		<input type="radio"/>		<input type="radio"/>		<input type="radio"/>	
R163		1/6 330 OHM	RD-AZ331J-		<input type="radio"/>		<input type="radio"/>		<input type="radio"/>		<input type="radio"/>		<input type="radio"/>		<input type="radio"/>	
R166		1/6 270 OHM	RD-AZ271J-		<input type="radio"/>		<input type="radio"/>		<input type="radio"/>		<input type="radio"/>		<input type="radio"/>		<input type="radio"/>	
R170		1/6 7.5K OHM	RD-AZ752J-						<input type="radio"/>							
R172		1/6 22K OHM	RD-AZ223J-						<input type="radio"/>							
R173		1/6 22K OHM	RD-AZ223J-		<input type="radio"/>		<input type="radio"/>		<input type="radio"/>		<input type="radio"/>		<input type="radio"/>		<input type="radio"/>	
R733		1/6 4.7K OHM	RD-AZ472J-					<input type="radio"/>	<input type="radio"/>							
R734		1/6 4.7K OHM	RD-AZ472J-						<input type="radio"/>							
RA43		1/6 22K OHM	RD-AZ223J-		<input type="radio"/>		<input type="radio"/>		<input type="radio"/>		<input type="radio"/>		<input type="radio"/>		<input type="radio"/>	
RL09		1/6 22K OHM	RD-AZ223J-					<input type="radio"/>	<input type="radio"/>							
RL10		1/6 33K OHM	RD-AZ333J-					<input type="radio"/>	<input type="radio"/>							
RL20		1/6 1K OHM	RD-AZ102J-					<input type="radio"/>	<input type="radio"/>							

LOC.	PART NAME	DESCRIPTION	S/N	UNITED KINGDOM		CONTINENTAL		FRANCE		EAST EUROPE		MIDDLE EAST ASIA		AUSTRALIA		REMARK
				1Tuner	2Tuner	1Tuner	2Tuner	1Tuner	2Tuner	1Tuner	2Tuner	1Tuner	2Tuner	1Tuner	2Tuner	
RL21		1/6 1K OHM	RD-AZ102J-					<input type="radio"/>	<input type="radio"/>							
RL22		1/6 1K OHM	RD-AZ102J-					<input type="radio"/>	<input type="radio"/>							
RL23		1/6K 1K OHM	RD-AZ102J-					<input type="radio"/>	<input type="radio"/>							
RN50		1/6 18K OHM	RD-AZ183J-		<input type="radio"/>		<input type="radio"/>		<input type="radio"/>		<input type="radio"/>		<input type="radio"/>		<input type="radio"/>	
RN51		1/6 22K OHM	RD-AZ223J-		<input type="radio"/>		<input type="radio"/>		<input type="radio"/>		<input type="radio"/>		<input type="radio"/>		<input type="radio"/>	
RP02		1/6 1K OHM	RD-AZ102J-		<input type="radio"/>		<input type="radio"/>		<input type="radio"/>		<input type="radio"/>		<input type="radio"/>		<input type="radio"/>	
RP03		1/6 1K OHM	RD-AZ102J-		<input type="radio"/>		<input type="radio"/>		<input type="radio"/>		<input type="radio"/>		<input type="radio"/>		<input type="radio"/>	
PW01	CORD POWER	M5206+H03VVH2-F =2250	4859906111			<input type="radio"/>	<input type="radio"/>	<input type="radio"/>	<input type="radio"/>							
		CW3222/240V 5A + HOUS=2200	4859905110	<input type="radio"/>	<input type="radio"/>											
		KKP-419C KLCE - 2F [2.1ME]	4859901111							<input type="radio"/>	<input type="radio"/>	<input type="radio"/>	<input type="radio"/>			
		KKP-560A KLCE-2F 2600MM	4859904111											<input type="radio"/>	<input type="radio"/>	

THE DIFFERENT PARTS LIST FOR CRT OPTION

Loc.	PART NAME	DESCRIPTION	S/N	14" DOSA	14" CHUNGHWA	14" EKTRANAS	REMARK
C418	C MYLAR	200V PU 0.65uF	CMYE2D624J			○	
		200V PU 0.68uF	CMYE2D684J	○	○		
L401	COIL H-LINEARIT	L-125(125uH)	58H0000018		○	○	
R416	R METAL FILM	2W 1K OHM J SMALL	RN02B102JS		○	○	
J020	WIRE COPPER	AWG22 1/0.65 TIN COATING	85801065GY	○			POWER PCB
C426	C MYLAR	1.3KV BUP 7000pF	CMYH3C702J	○			
		1.6KV BUP 7200pF	CMYH3C722J		○		
		1.6KV BUP 7500pF	CMYH3C752J			○	
R311	R METAL FILM	1/4 1.20K OHM F	RN-4Z1201F	○	○		
		1/4 1.50K OHM F	RN-4Z1501F			○	
R312	R METAL FILM	1/4 1.20K OHM F	RN-4Z1201F	○	○		
		1/4 1.50K OHM F	RN-4Z1501F			○	
R907	R FUSIBLE	1W 0.18K (TAPPING)	RF01Y188K-		○	○	
	R-M-OXIDE	1W 1.8 OHM J	RS01Z189J-	○			
V901	CRT	A34JLL90X01	4859607140	○			
		A34AGT14X71	4859609841		○		
		A33EK01X01	4859600040N			○	
SCT1	SOCKET CRT	PCS633A	4859303430	○	○		
		PCS629-03C	4859303530			○	
R827	R CARBON FILM	1/2 1K OHM J	RD-2Z102J-		○	○	
	WIRE COPPER	AWG22 V0.65 TIN COATING	85801065GY	○			
T801	TRANS SMPS	TSM-3541A7	50M7541A7-		○	○	
		TSM-3541A6	50M7541A6-	○			
I821	I.C	SE110N	1SE110N---		○	○	
		SE125N	1SE125N--	○			

THE DIFFERENT PARTS LIST FOR DECK OPTION

Loc.	PART NAME	DESCRIPTION	S/N	PAL 2 HEAD S/N:4851942300 (DRP-9200N)	PAL 4 HEAD S/N:4851930900 (DRP-9400N)	SECAM 4HEAD S/N:4851931000 (DRS-9400N)	REMARK
RN03	R CARBON FILM	1/6 2.2K OHM	RD-AZ222J-	○			
		1/6 5.6K OHM	RD-AZ562J-		○		
		1/6 8.2K OHM	RD-AZ8222J-			○	
RY02	CONN WAFER	GF120-04S-TS	4859292220	○			
		GF120-07S-TS	4859292320		○	○	
CCY55	C CHIP CERA	50V CH 30pF	HCQK300JCA		○	○	
CCY56		50V CH 30pF	HCQK300JCA		○	○	
CCY57		50V CH 51pF	HCQK510JCA		○	○	
RCY51	R HIP	1/10 510 OHM	HRFT511JCA		○	○	
RCY57		1/10 47K OHM	HRFT473JCA		○	○	
RCY58		1/10 47K OHM	HRFT473JCA		○	○	
QY50	TR	KTC3198Y	TKTC3198Y-		○	○	

THE DIFFERENT PARTS LIST FOR REMOTE CONTROL OPTION

Loc.	PART NAME	DESCRIPTION	S/N	4HEAD W/T,SV(V+)	2HEAD W/T,SV(V+)	REMARK
ZZ100	TRANSMITT	R-46C16	48B4446C16	○		With SLOW KEY
ZZ100	TRANSMITT	R-46C19	48B4446C19		○	Without SLOW KEY

DAEWOO

DAEWOO ELECTRONICS CO., LTD

686, AHYEON-DONG MAPO-GU

SEOUL, KOREA

C.P.O. BOX 8003 SEOUL, KOREA

TELEX : DWELEC K28177-8

CABLE : "DAEWOOELEC"

E-mail : djkoo@web.dwe.co.kr

TEL : 82-2-360-7806

FAX : 82-2-360-7877